

# SSV KIT - Roof Power Cable

Part number (SKU) :


715001966,715003037,715003094,715003482,715006330,715006332,715006333,715008607,715008608

Product:	<b>Side-by-side</b>
Project no:	<b>tsi2016-085</b>
Instruction Sheet P/N:	<b>487801885</b>
Revision no:	
Revision date:	
Item covered:	<b>Roof Power Cable</b>

The following symbols may be used in this document:

## WARNING

Indicates a hazardous situation which, if not avoided, could result in death or serious injury.

** CAUTION:** Indicates a hazard situation which, if not avoided, could result in minor or moderate injury.

**NOTICE** Indicates an instruction which, if not followed, could severely damage vehicle components or other property.

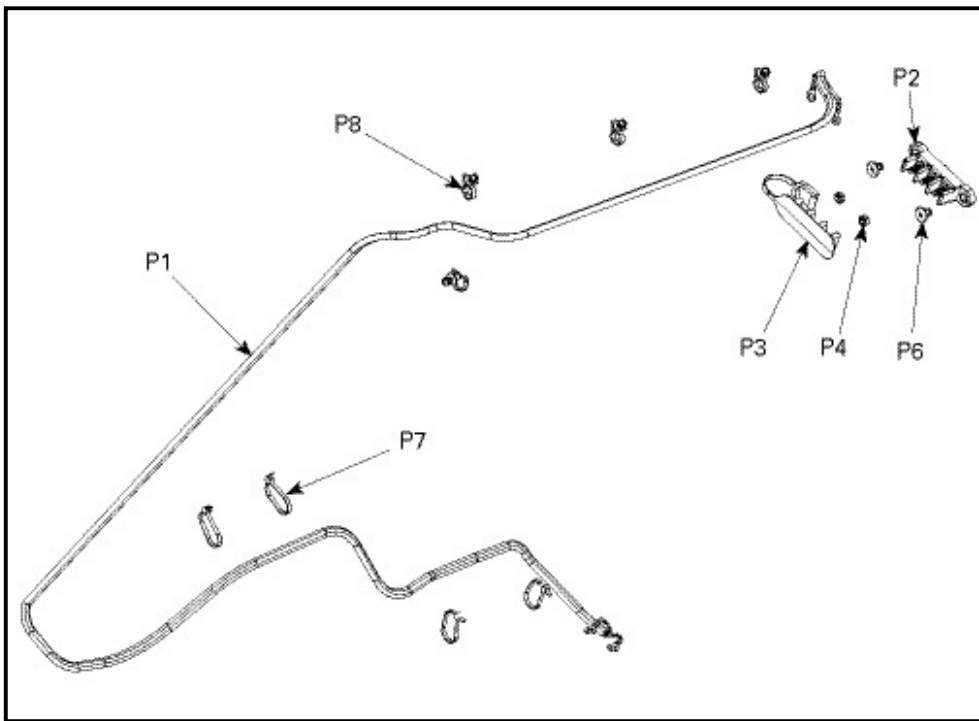
## WARNING

- For safety reasons, this kit must be installed by an authorized BRP dealer.
- This kit is designed for specific applicable models only (authorized BRP dealers will confirm model(s)). It is not recommended for units other than the one (those) for which it was sold.
- Should removal of a locking device (e.g. lock tabs, self-locking fasteners, etc.) be required when undergoing disassembly/assembly, always replace with a new one.
- Torque wrench tightening specifications must strictly be adhered to.

The illustrations in this document show typical construction of the different assemblies and may not reproduce the full detail or exact shape of the parts; however, they represent parts that have the same or similar function.

**NOTE:** Installation time is approximately 0.75 hour.

## PARTS TO BE INSTALLED



ITEM	DESCRIPTION	part number	QTY
P1	Roof harness	710004463	1
P2	Junction block	710004825	1
P3	Block cover	710004826	1
P4	M6 Elastic nut	232561200	2
P5	Locking tie 100 mm (3.9 in)	710002713	1
P6	3/16 rivet	293150092	2
P7	Locking tie 350 mm (13.8 in)	293750008	5
P8	Locking tie 173 mm (6.8 in)	293750009	5

## PROCEDURE

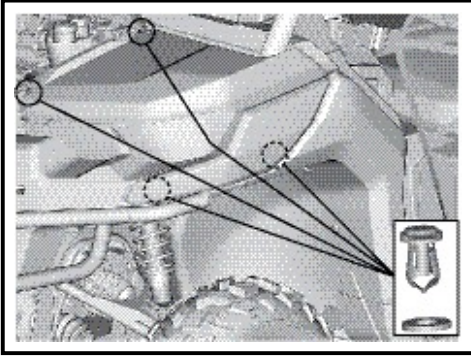
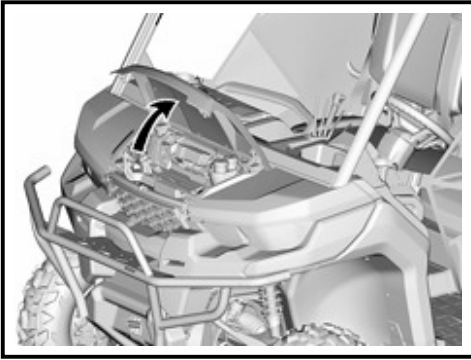
**NOTICE** Always disconnect battery before doing any electrical modifications. Do not place tools on battery. Proceed exactly in this specific order:

- Disconnect black cable (-) first.
- Disconnect red cable (+) after.
- Secure battery by covering poles with isolating material.

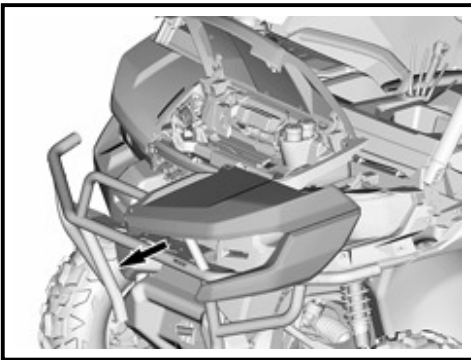
Refer to *BODY* subsection in shop manual and remove the following parts

- RH lower dash
- LH lower dash

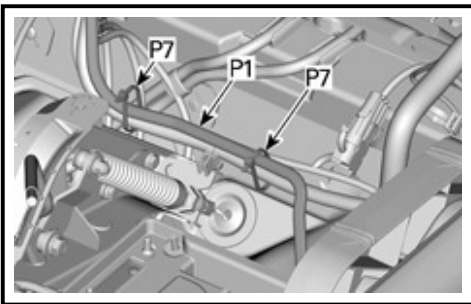
Remove LH fender.



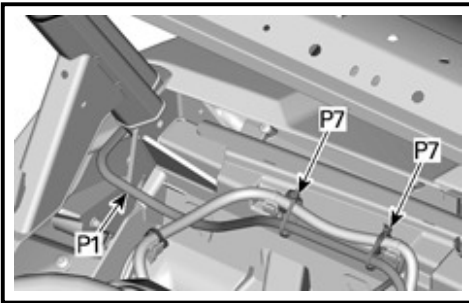
REMOVE



Route roof harness [P1] along vehicle harness towards LH side of cage and loosely install locking ties [P7].

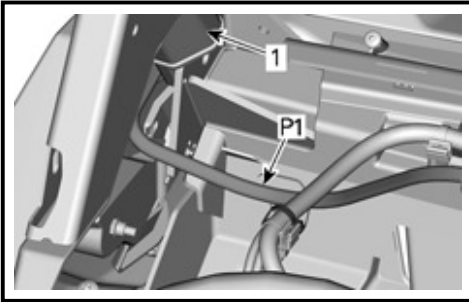


ROUTING ROOF HARNESS ALONG VEHICLE HARNESS - UPPER DASH REMOVED FOR CLARITY



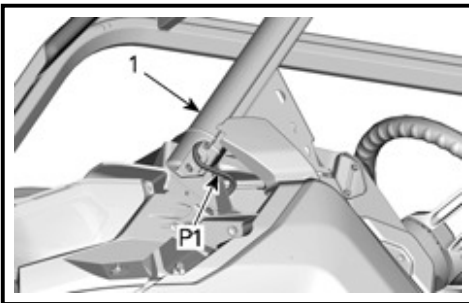
ROUTING ROOF HARNESS ALONG VEHICLE HARNESS - UPPER DASH REMOVED FOR CLARITY

Route roof harness towards LH front fender.

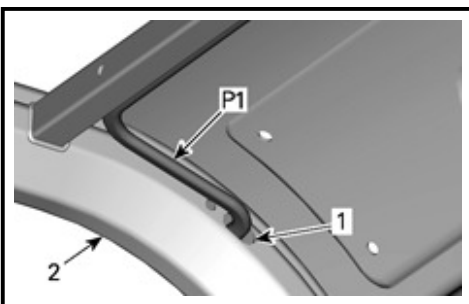


1. Base of cage

Using a fish tape, route roof harness from the base of cage to the upper cage opening.

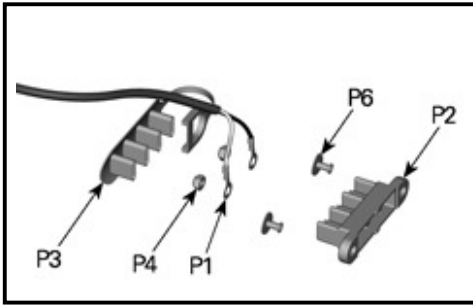


1. Base of cage

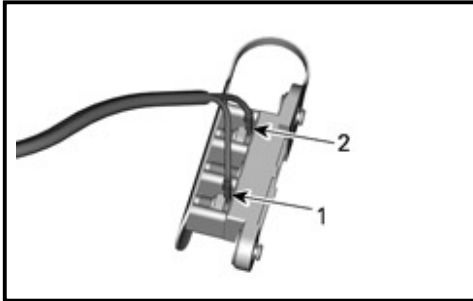


1. Upper cage opening  
2. Upper LH side of cage

Assemble upper junction block.



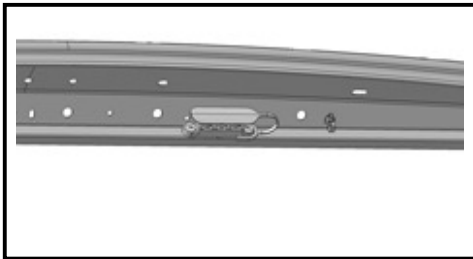
**NOTE:** Ring terminals are connected to the first and the third junction block terminals under the dash.



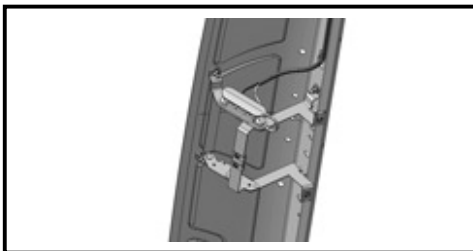
- 1. POSITIVE (+) cable ring terminal connection to first junction block terminal
- 2. NEGATIVE (-) cable ring terminal connection to third junction block terminal

<b>tightening torque</b>	
Terminal connection	<b>3.5 ± 0.5 N•m (31 ± 4 lbf•in)</b>

Install junction block assembly on vehicle.

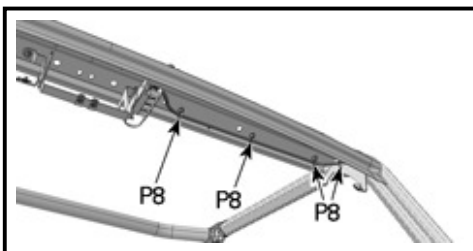


JUNCTION BLOCK ASSEMBLY INSTALLED ON CAGE

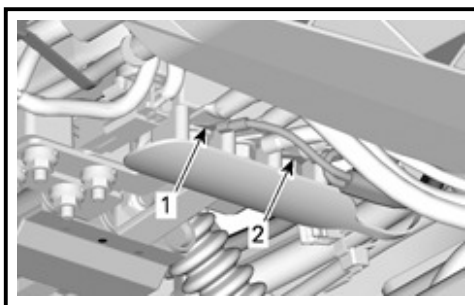


JUNCTION BLOCK ASSEMBLY INSTALLED ON FRONT LINER

Loosely install locking ties [P8] to support roof harness.



Connect both ring terminals to the first and the third junction block terminals under the dash.



1. NEGATIVE (-) cable ring terminal connection to first junction block terminal

2. POSITIVE (+) cable ring terminal connection to third junction block terminal

tightening torque	
Terminal connection	3.5 ± 0.5 N•m (31 ± 4 lbf•in)

Make sure roof harness is positioned properly and does not come in contact with any moving parts.  
Tighten all locking ties to secure in place.

Reconnect battery.

**NOTICE** Connect RED cable (+) first then BLACK cable (-) .

Reinstall all removed parts.

---