

# SSV KIT - ProVent Windshield

Part number (SKU) : 715005276

Product:	<b>Side-by-side</b>
Project no:	<b>487802870</b>
Instruction Sheet P/N:	<b>487802870</b>
Revision no:	
Revision date:	
Item covered:	<b>ProVent Windshield</b>

The following symbols may be used in this document:

## WARNING

Indicates a hazardous situation which, if not avoided, could result in death or serious injury.

**⚠ CAUTION:** Indicates a hazard situation which, if not avoided, could result in minor or moderate injury.

**NOTICE** Indicates an instruction which, if not followed, could severely damage vehicle components or other property.

## WARNING

- For safety reasons, this kit must be installed by an authorized BRP dealer.
- This kit is designed for specific applicable models only (authorized BRP dealers will confirm model(s)). It is not recommended for units other than the one (those) for which it was sold.
- Should removal of a locking device (e.g. lock tabs, self-locking fasteners, etc.) be required when undergoing disassembly/assembly, always replace with a new one.
- Torque wrench tightening specifications must strictly be adhered to.
- Unless otherwise specified, engine must be OFF when performing any operation on the vehicle.
- Always be aware of parts that can move, such as wheels, transmission components, etc.

## WARNING

Some important safety information and/or operating instructions dedicated to the end user might be included in this instruction sheet. Make sure to give the kit part number as well as the instruction sheet included with this kit to the customer. Verify that the customer has access to all the information required for proper use of the accessory.

**NOTE:** USE TIGHTENING TORQUES IN THE FOLLOWING TABLE IF NOT OTHERWISE SPECIFIED.

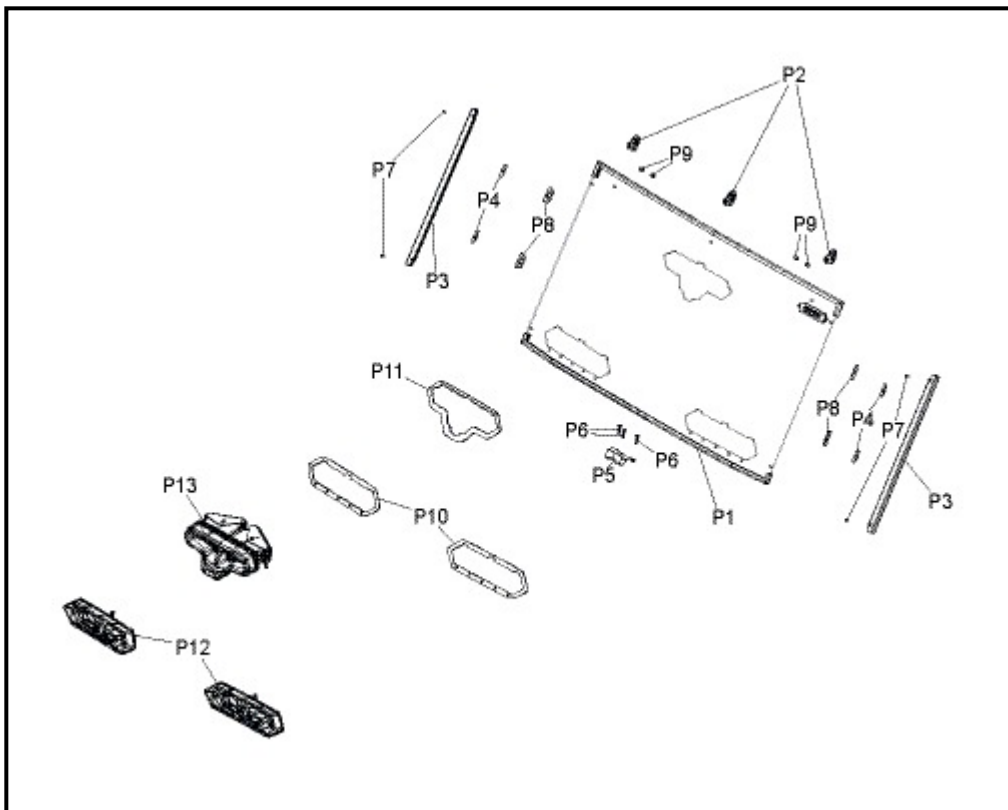
	GRADE			
	5.8	8.8	10.9	12.9

M4	$1.8 \pm 0.2 \text{ N}\cdot\text{m}$ (16 $\pm$ 2 lbf·in)	$2.8 \pm 0.2 \text{ N}\cdot\text{m}$ (25 $\pm$ 2 lbf·in)	$3.8 \pm 0.2 \text{ N}\cdot\text{m}$ (34 $\pm$ 2 lbf·in)	$4.5 \pm 0.5 \text{ N}\cdot\text{m}$ (40 $\pm$ 4 lbf·in)
M5	$3.3 \pm 0.2 \text{ N}\cdot\text{m}$ (29 $\pm$ 2 lbf·in)	$5 \pm 0.5 \text{ N}\cdot\text{m}$ (44 $\pm$ 4 lbf·in)	$7.8 \pm 0.7 \text{ N}\cdot\text{m}$ (69 $\pm$ 6 lbf·in)	$9 \pm 1 \text{ N}\cdot\text{m}$ (80 $\pm$ 9 lbf·in)
M6	$7.5 \pm 1 \text{ N}\cdot\text{m}$ (66 $\pm$ 9 lbf·in)	$10 \pm 2 \text{ N}\cdot\text{m}$ (89 $\pm$ 18 lbf·in)	$12.8 \pm 2.2 \text{ N}\cdot\text{m}$ (113 $\pm$ 19 lbf·in)	$16 \pm 2 \text{ N}\cdot\text{m}$ (142 $\pm$ 18 lbf·in)
M8	$15.3 \pm 1.7 \text{ N}\cdot\text{m}$ (135 $\pm$ 15 lbf·in)	$24.5 \pm 3.5 \text{ N}\cdot\text{m}$ (18 $\pm$ 3 lbf·ft)	$31.5 \pm 3.5 \text{ N}\cdot\text{m}$ (23 $\pm$ 3 lbf·ft)	$40 \pm 5 \text{ N}\cdot\text{m}$ (30 $\pm$ 4 lbf·ft)
M10	$29 \pm 3 \text{ N}\cdot\text{m}$ (21 $\pm$ 2 lbf·ft)	$48 \pm 6 \text{ N}\cdot\text{m}$ (35 $\pm$ 4 lbf·ft)	$61 \pm 9 \text{ N}\cdot\text{m}$ (45 $\pm$ 7 lbf·ft)	$73 \pm 7 \text{ N}\cdot\text{m}$ (54 $\pm$ 5 lbf·ft)
M12	$52 \pm 6 \text{ N}\cdot\text{m}$ (38 $\pm$ 4 lbf·ft)	$85 \pm 10 \text{ N}\cdot\text{m}$ (63 $\pm$ 7 lbf·ft)	$105 \pm 15 \text{ N}\cdot\text{m}$ (77 $\pm$ 11 lbf·ft)	$128 \pm 17 \text{ N}\cdot\text{m}$ (94 $\pm$ 13 lbf·ft)
M14	$85 \pm 10 \text{ N}\cdot\text{m}$ (63 $\pm$ 7 lbf·ft)	$135 \pm 15 \text{ N}\cdot\text{m}$ (100 $\pm$ 11 lbf·ft)	$170 \pm 20 \text{ N}\cdot\text{m}$ (125 $\pm$ 15 lbf·ft)	$200 \pm 25 \text{ N}\cdot\text{m}$ (148 $\pm$ 18 lbf·ft)
M16	$126 \pm 14 \text{ N}\cdot\text{m}$ (93 $\pm$ 10 lbf·ft)	$205 \pm 25 \text{ N}\cdot\text{m}$ (151 $\pm$ 18 lbf·ft)	$255 \pm 30 \text{ N}\cdot\text{m}$ (188 $\pm$ 22 lbf·ft)	$305 \pm 35 \text{ N}\cdot\text{m}$ (225 $\pm$ 26 lbf·ft)
M18	$170 \pm 20 \text{ N}\cdot\text{m}$ (125 $\pm$ 15 lbf·ft)	$273 \pm 32 \text{ N}\cdot\text{m}$ (201 $\pm$ 24 lbf·ft)	$330 \pm 25 \text{ N}\cdot\text{m}$ (243 $\pm$ 18 lbf·ft)	$413 \pm 47 \text{ N}\cdot\text{m}$ (305 $\pm$ 35 lbf·ft)

The illustrations in this document show typical construction of the different assemblies and may not reproduce the full detail or exact shape of the parts; however, they represent parts that have the same or similar function.

Installation time is approximately 1.0 hour

## PARTS TO BE INSTALLED



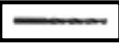
ITEM	DESCRIPTION	part number	QTY
P1	Windshield	705014544	1
P2	Full windshield latch kit	715003504 One per kit with fasteners	3
P3	Full windshield side guide	708200515	2
P4	Hook	708200510 Each sold separately	4
P5	Lower support	Not available separately	1
P6	M6 self tapping screw	Not available separately	3
P7	M4 self tapping screw	Not available separately	4
P8	Hook locator decal	Not available separately	4
P9	Rubber cap	Not available separately	4
P10	Lower vent seal	Not available separately	2
P11	Upper vent seal	Not available separately	1
P12	Lower vent kit	705014545	2
P13	Upper vent kit	705013971	1
P14	English safety decal (not shown)	704905936	1
	French safety decal (not shown)	704905937	1

P15	Attachment parts kit (Includes P6 to P11 & P14)	715006191	-
-----	---	-----------	---



## Service Parts

ITEM	DESCRIPTION	part number	QTY
	Service Kit	715003882	
P4	Hook	Included in Kit	4
P5	Lower support	Included in Kit	1
P6	M6 self tapping screw	Included in Kit	3
P7	M4 self tapping screw	Included in Kit	4

## REQUIRED TOOLS

Tools	Description		Use
T1	3 mm (1/8 in) drill bit		Guiding holes for lower support fasteners

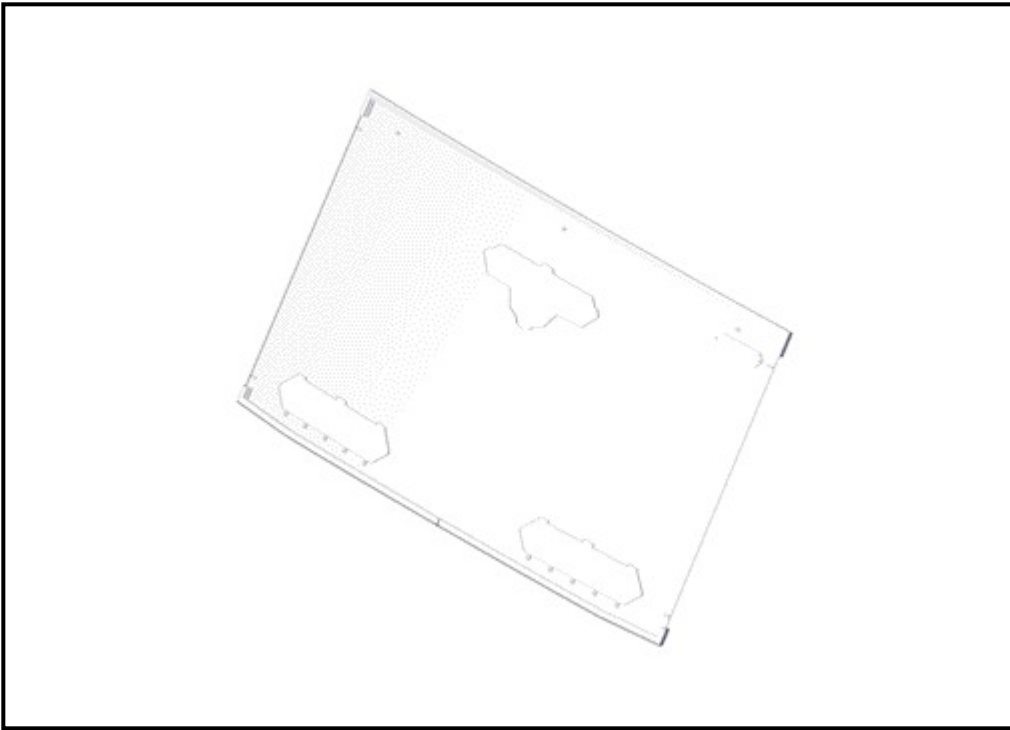
## ICON LEGEND

Icon	Indicate
	Parts to be discarded
	Parts kept for reinstallation

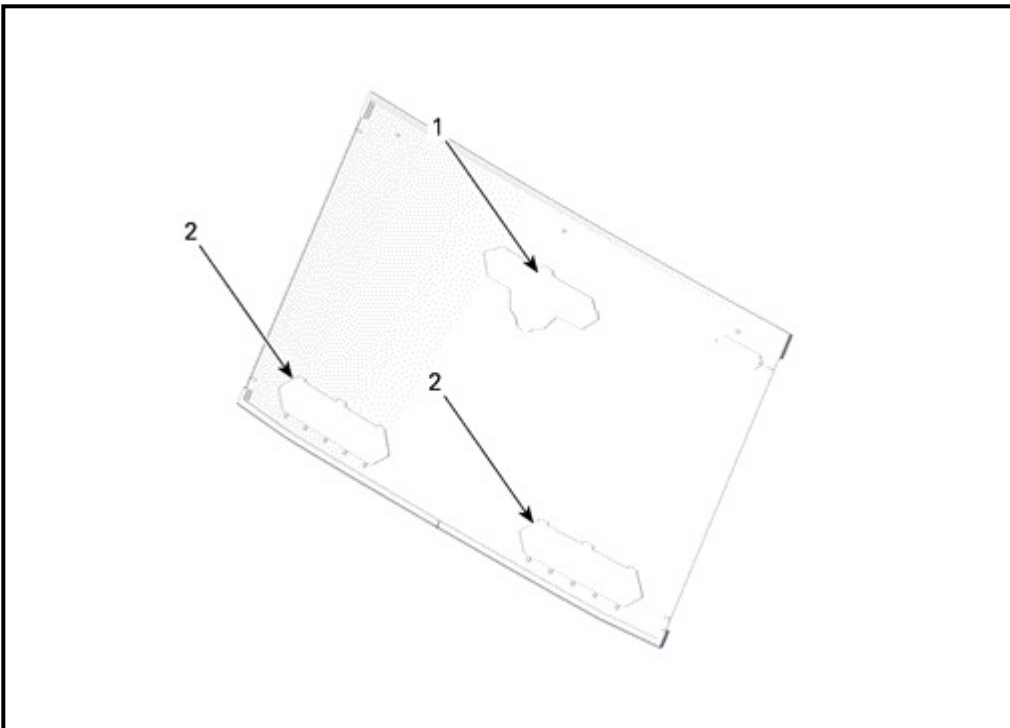
## INSTRUCTIONS

### Vent Installation

On a workbench, prepare windshield [P1] for installation by laying it flat with the front of the windshield facing upwards.

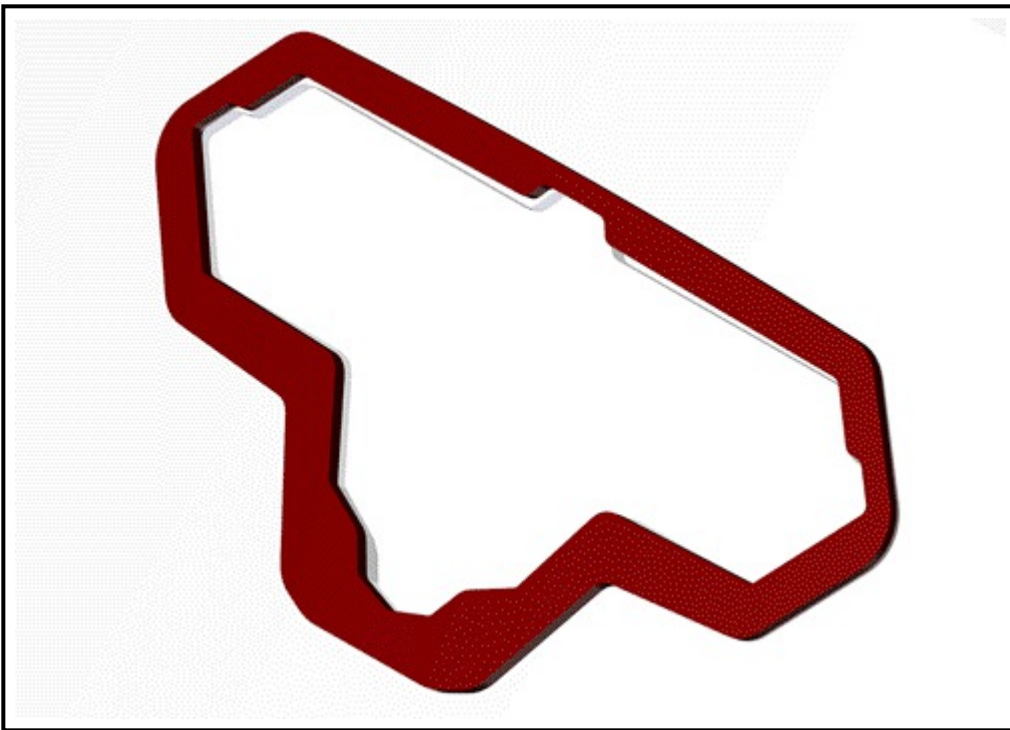
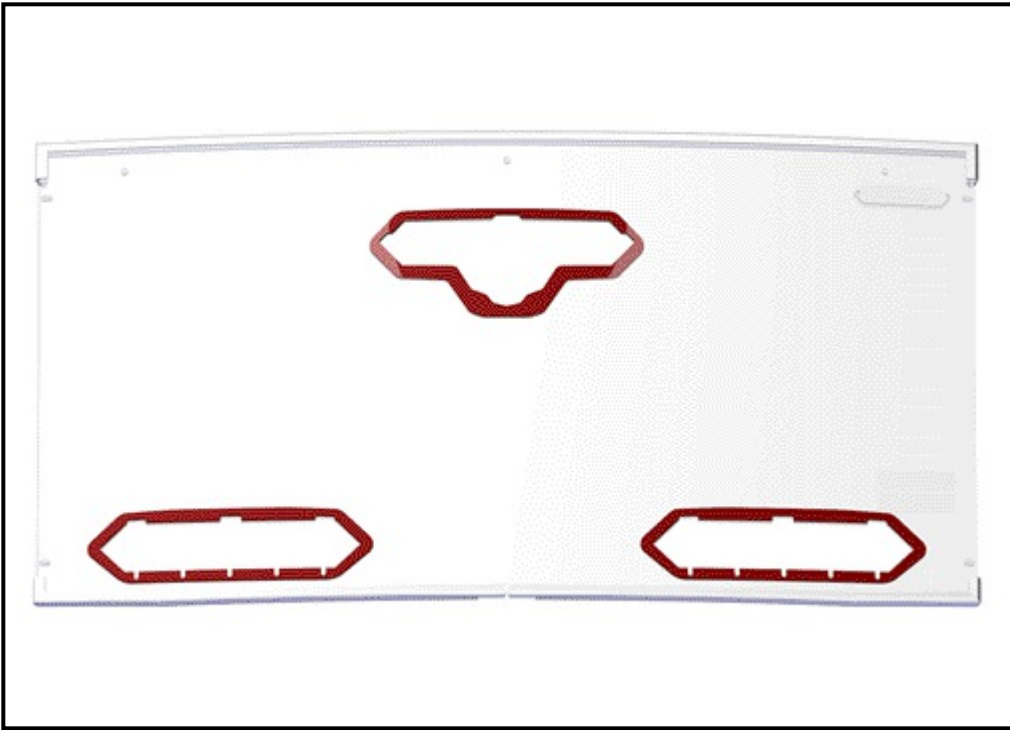


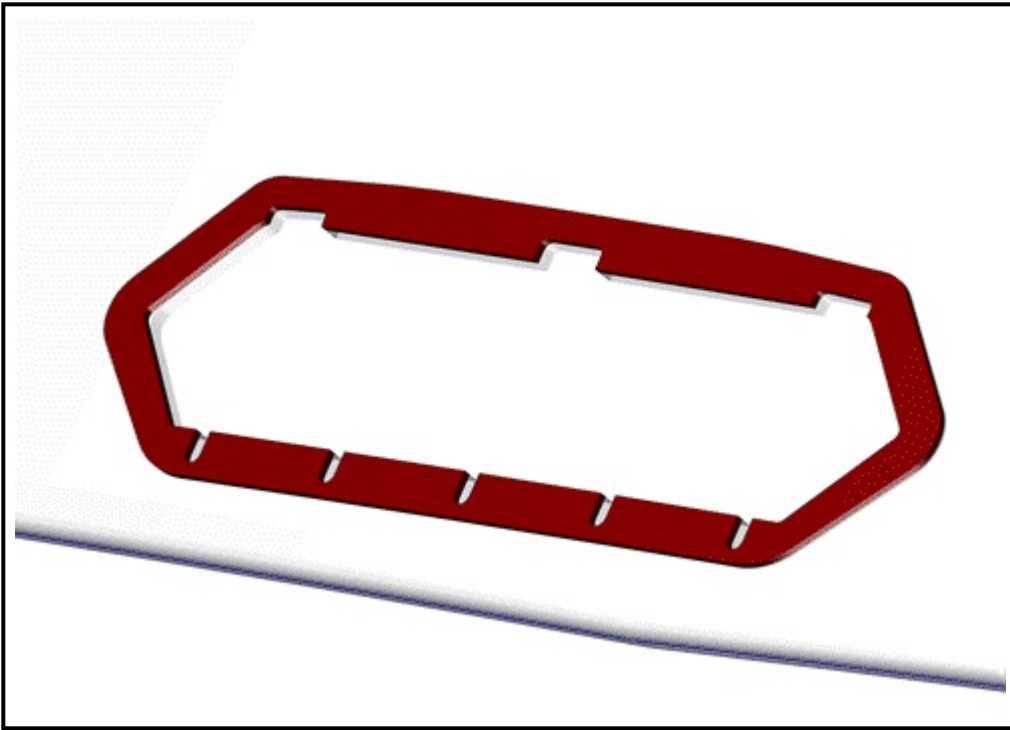
Locate vent cutouts.



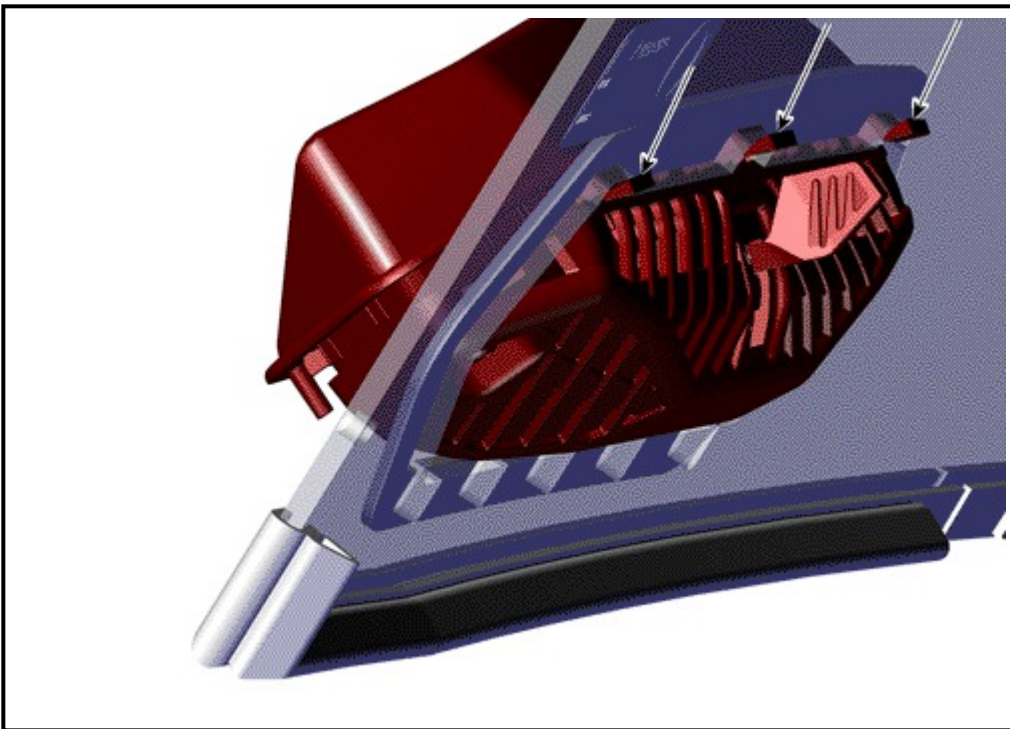
1. *Upper vent cutout*
2. *Lower vent cutout*

Clean the surface around the vent cutouts with isopropyl alcohol and let dry. Apply Lower vent seal [P10] and Upper vent seal [P11]. While installing the seals, make sure that the notches align with those of the windshield.

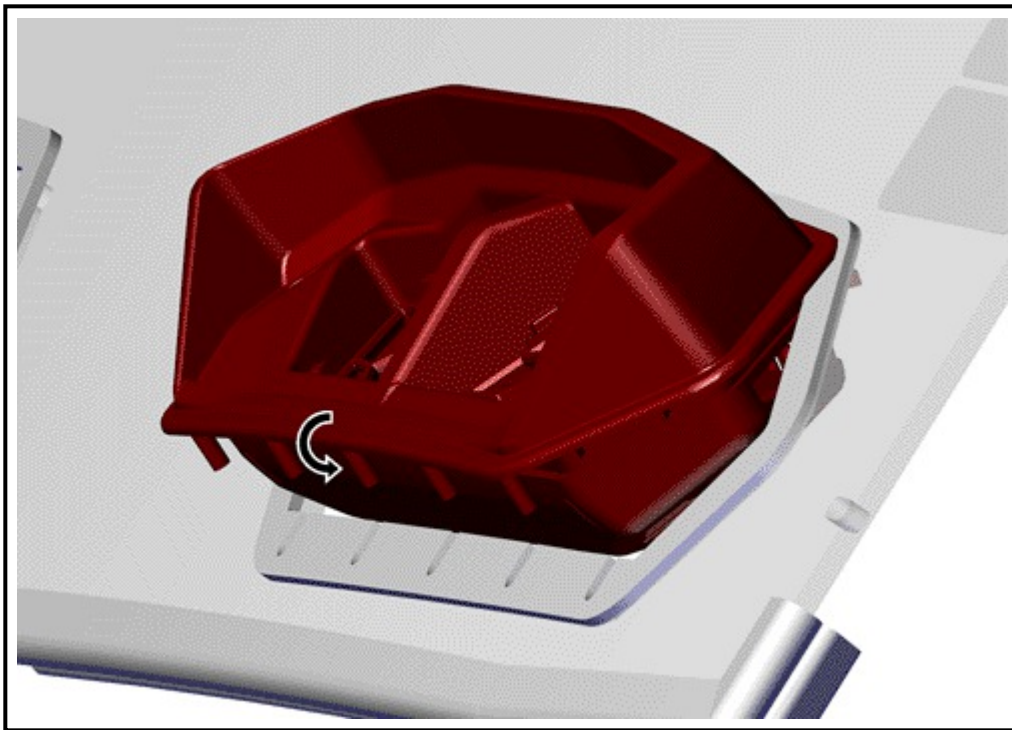




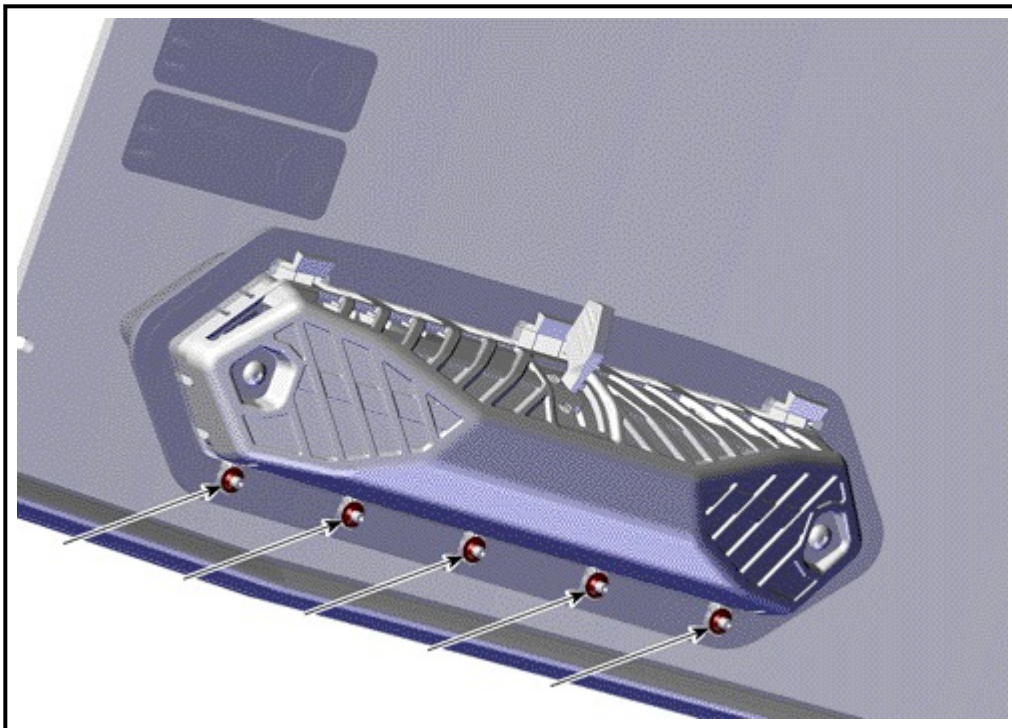
Install lower vent kit [P12] by inserting at an angle to hook it to the windshield and then pivot into position





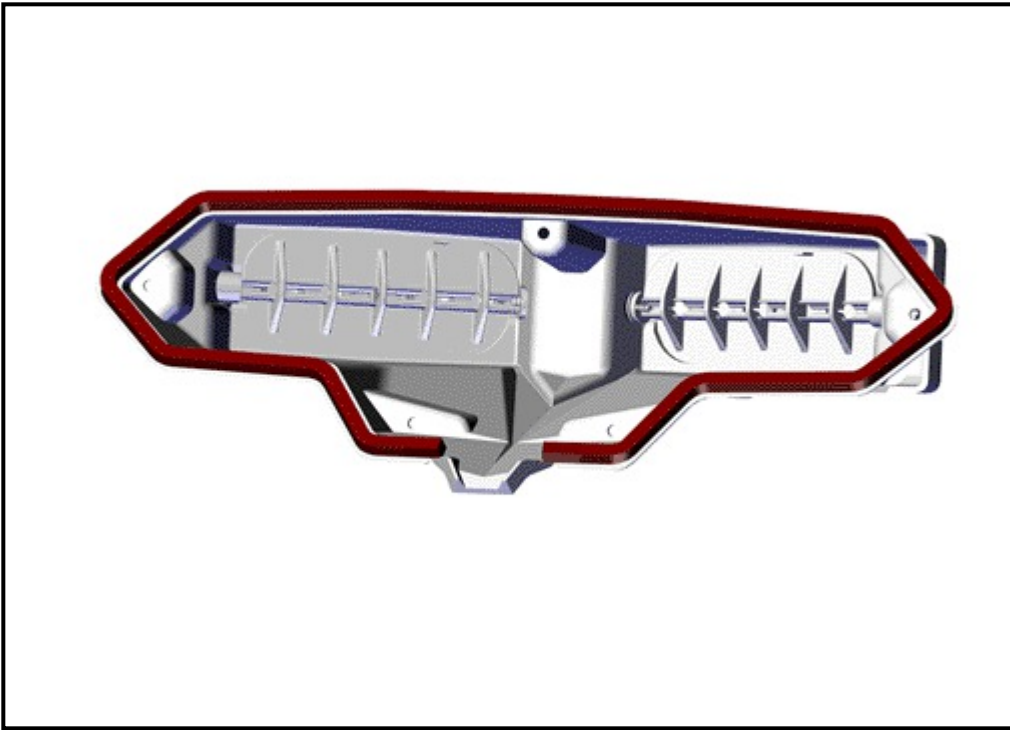


Secure Lower vent with the five (5) push nuts included in Lower vent kit [P12].

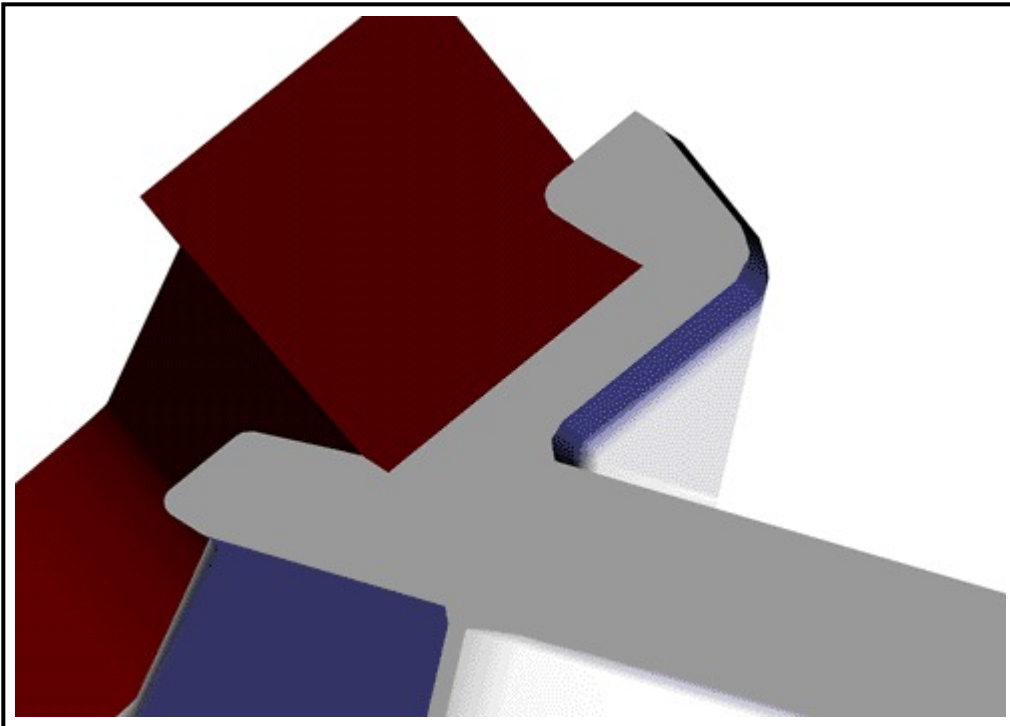


To install the upper vent kit [P13], start by disassembling it. The five (5) K50 X 20 screws required to mount the vent are located inside the upper vent, in a plastic bag. While the vent is disassembled, install the seal on the interior portion of the vent.



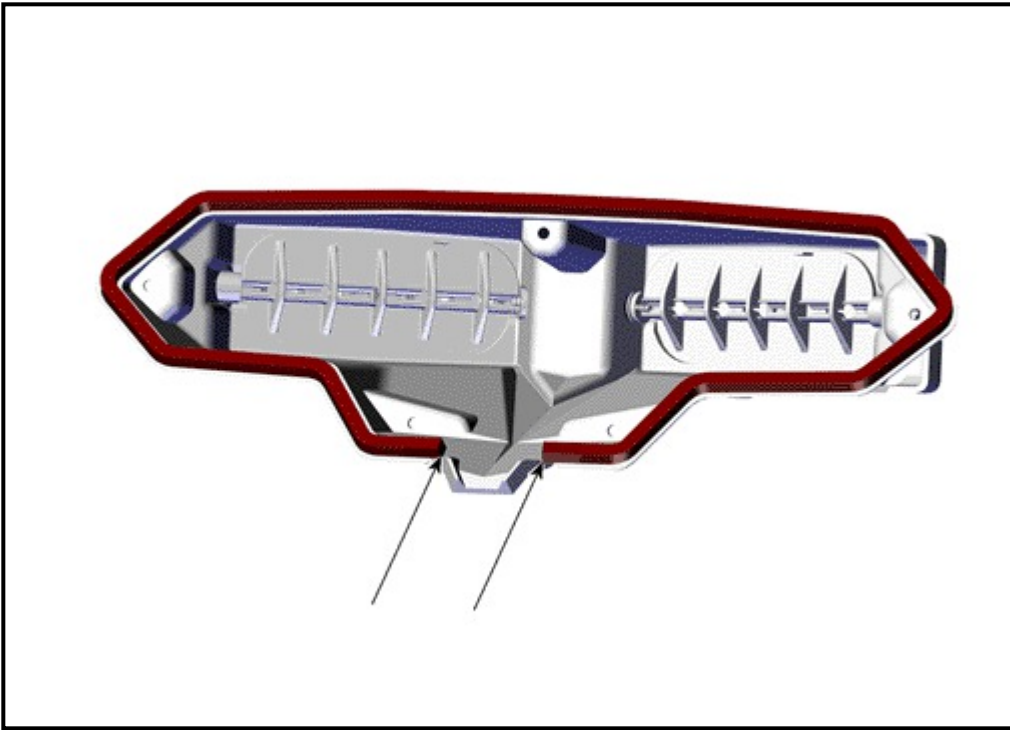


Make sure that the seal is set appropriately in the groove of the plastic part.



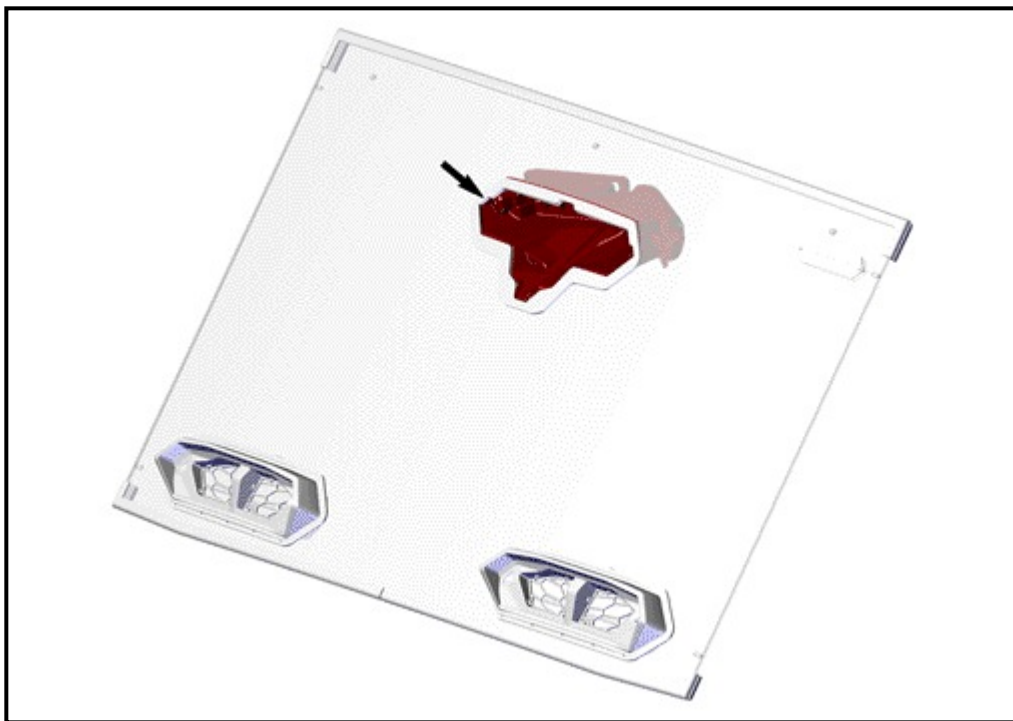
*SECTION VIEW*

Cut excess material from the seal in order to have good water evacuation if the vent gets filled with water.

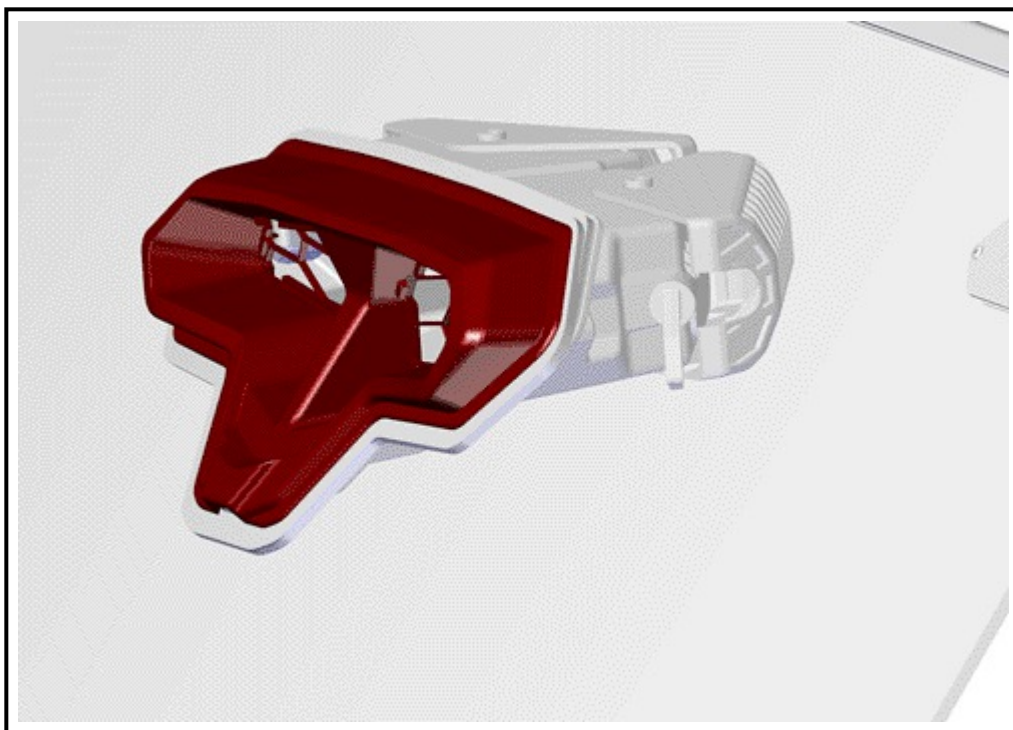


Hook the notch of the rear section of the upper vent kit to the windshield.

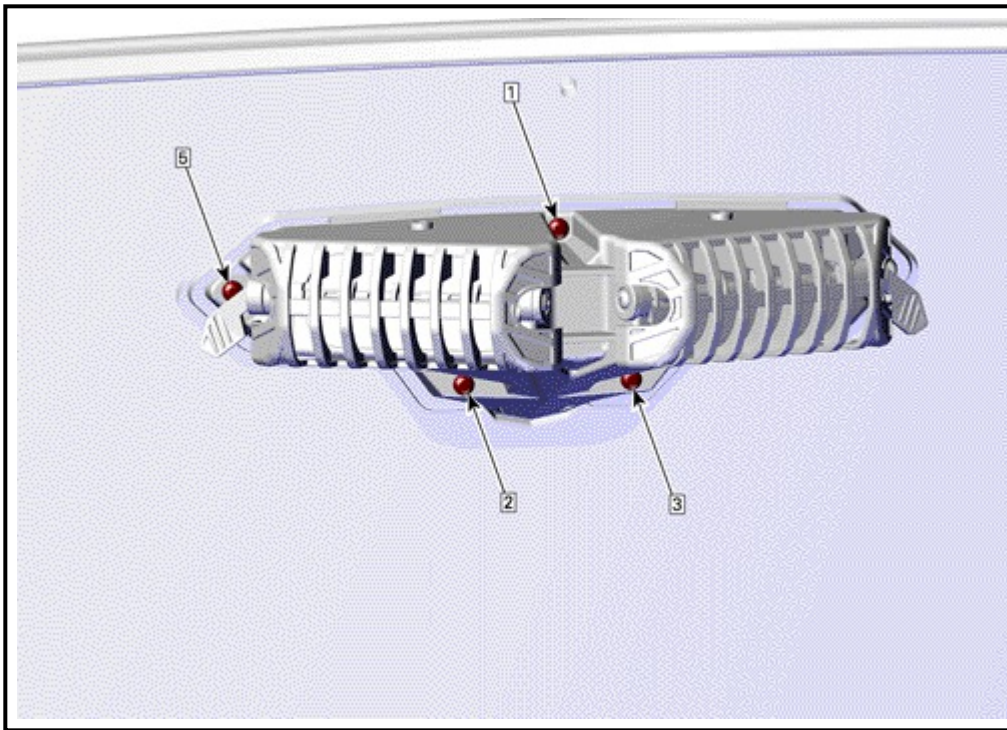




Position the front piece and use included screws to fix the upper vent to the windshield. Follow indicated order to simplify installation.







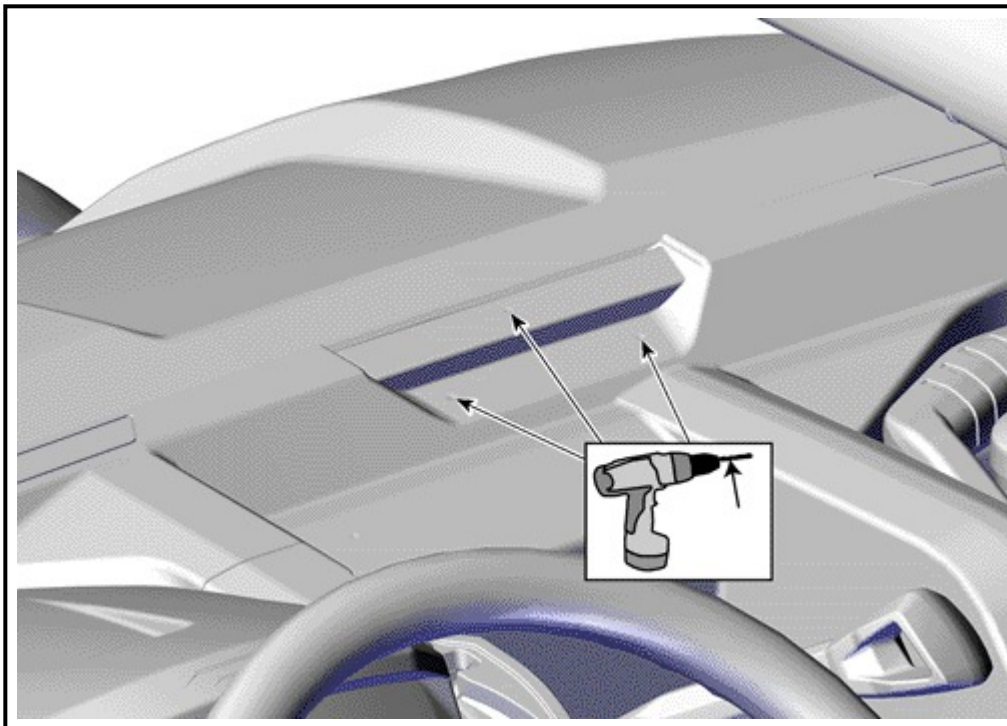
### tightening torque

K50 X 20 Screw

$3 \pm 0.5 \text{ N}\cdot\text{m}$  ( $27 \pm 4 \text{ lbf}\cdot\text{in}$ )

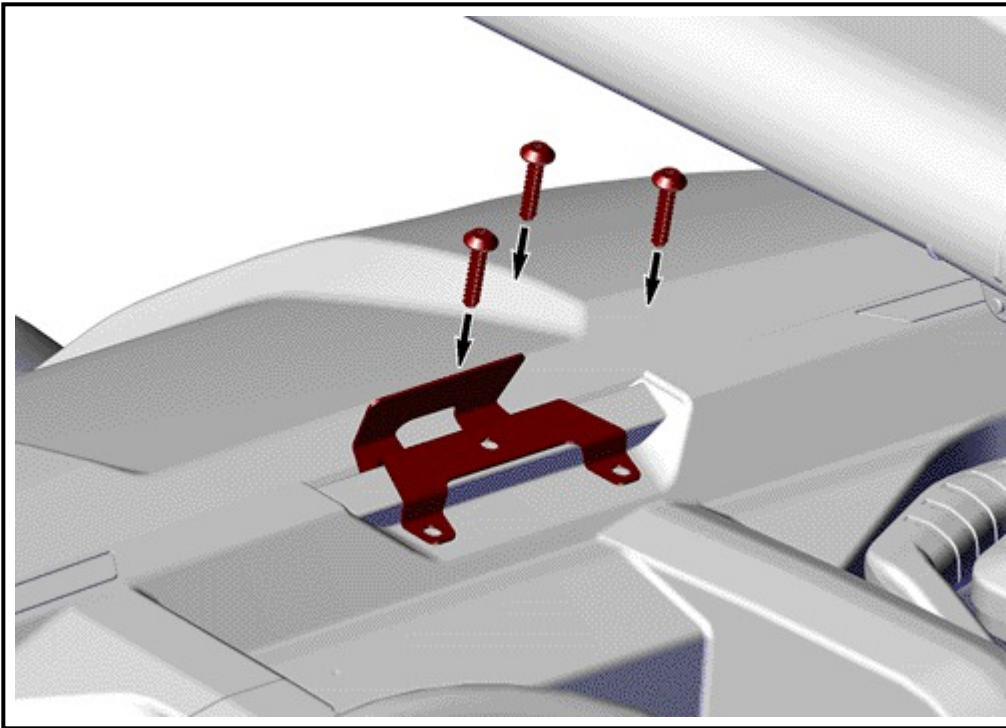
## Vehicle Preparation

Drill indicated holes with a 3 mm (1/8 in) drill bit.



**NOTICE** Do not drill more than 3 mm (1/8 in) deep.

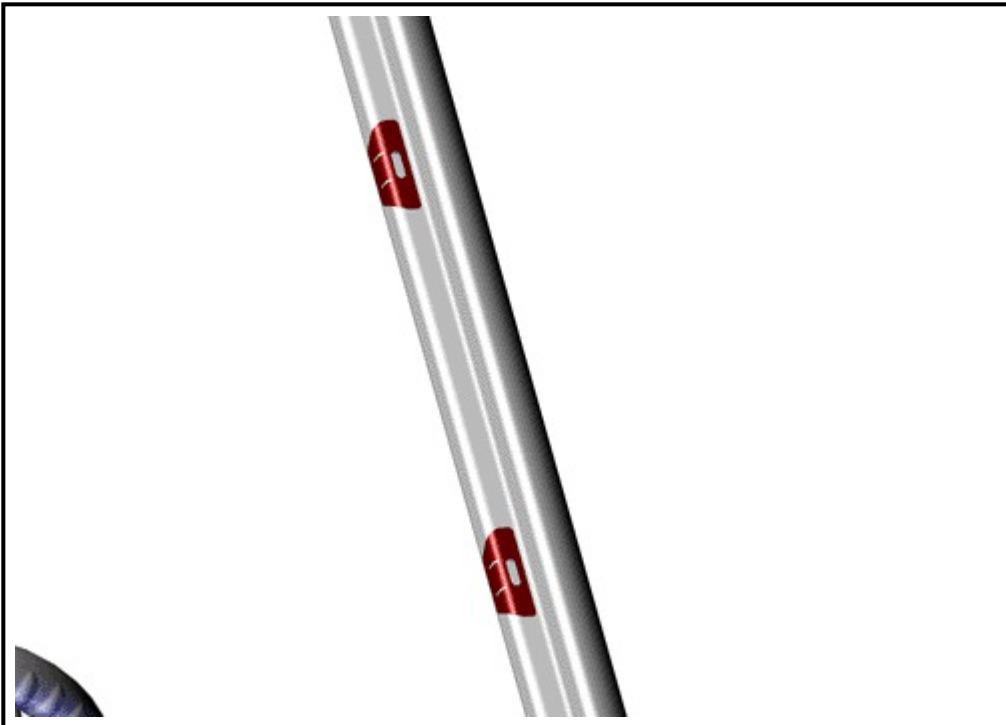
Install lower support [P5] with the self tapping screws [P6].



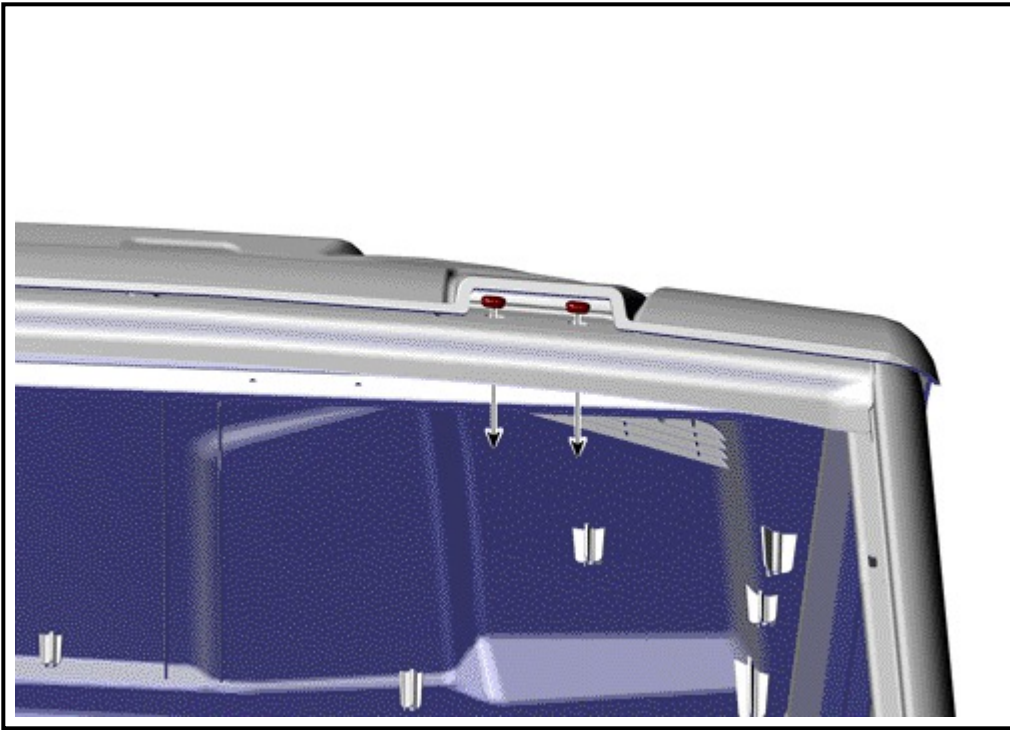
TYPICAL

Tightening Torque	
Lower support screws [P6]	3.5 ± .5 N•m (31 ± 4 lbf•in)

Thoroughly clean surface with using isopropyl alcohol and dry, then, install decals [P8].

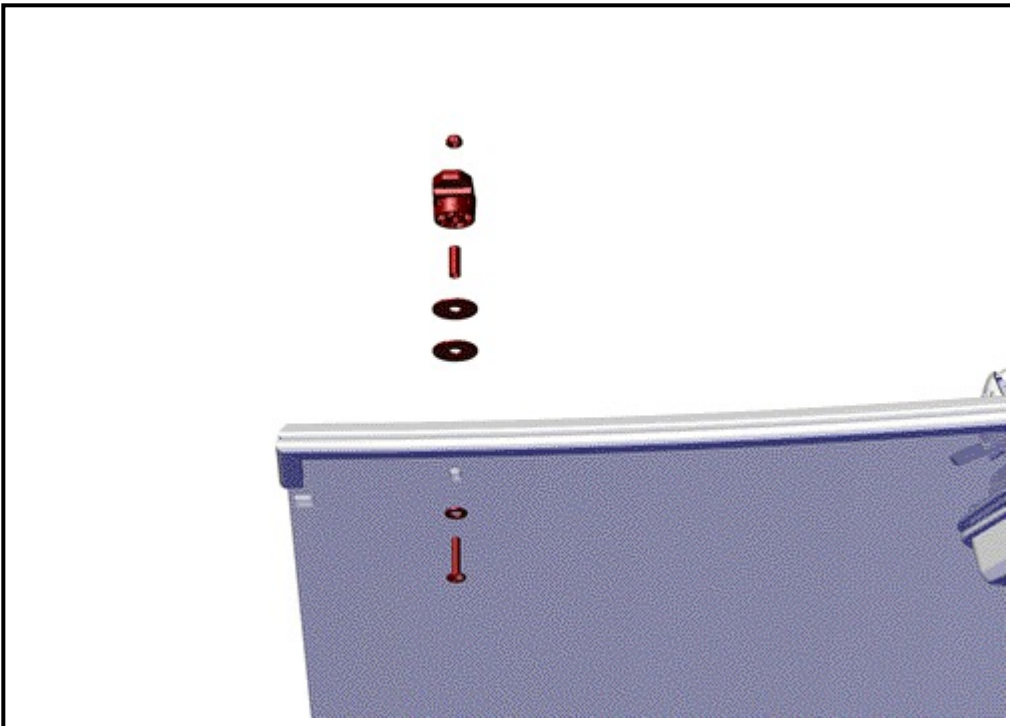


Insert rubber caps [P9] in upper holes.



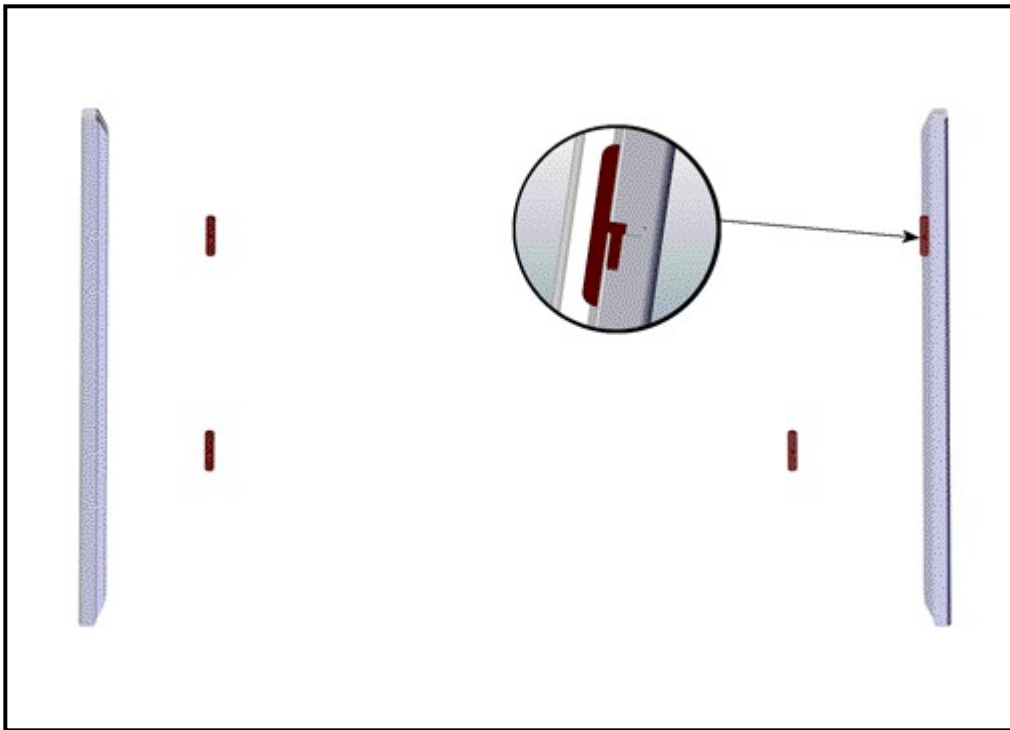
## Full Windshield Preparation

Install the three full windshield latch kits [P2] as shown. Tighten just enough to eliminate play while allowing to rotate.



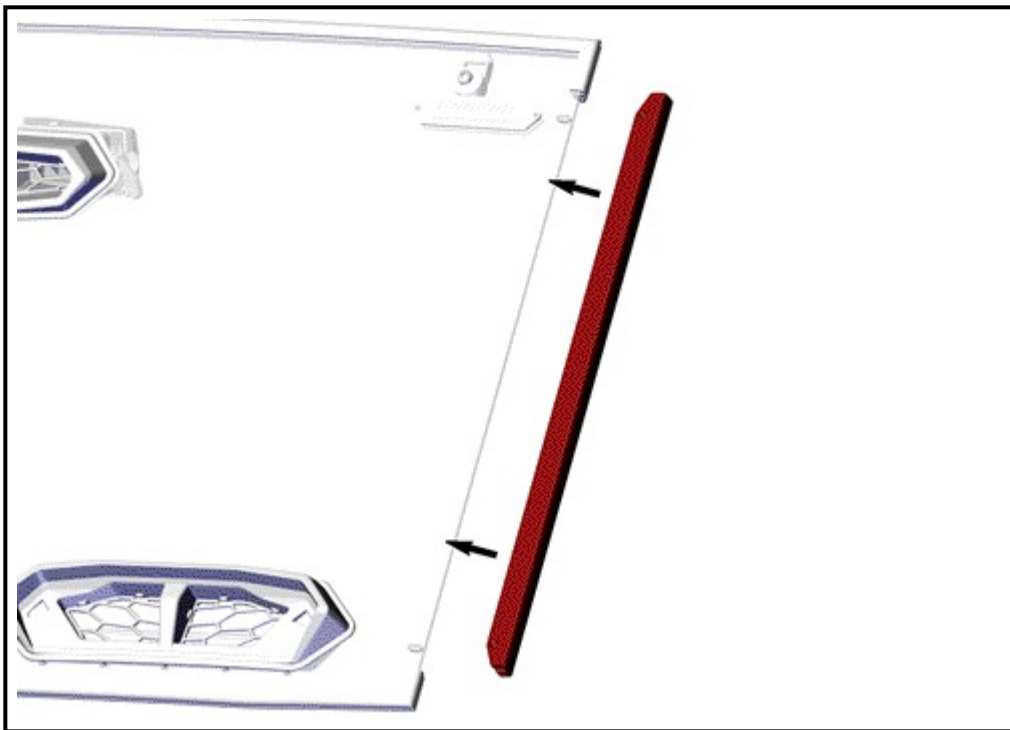
Insert hooks [P4] in full windshield side guides [P3]. Make sure hooks are pointing downwards.



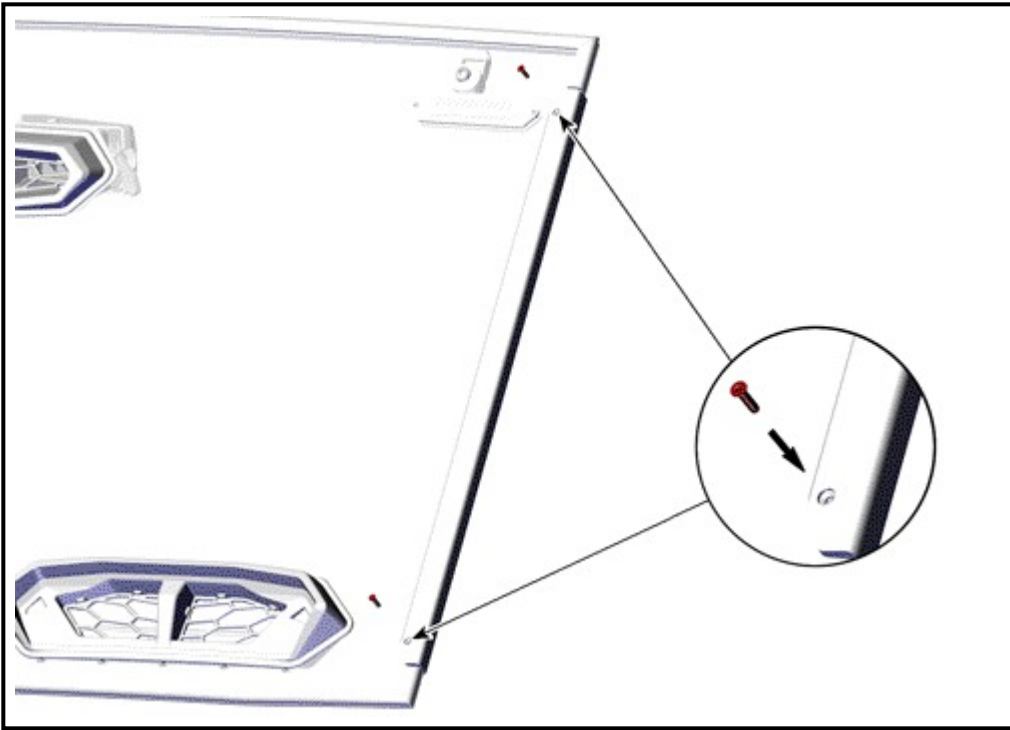


hook position	
UPPER HOOKS	In the upper slots
LOWER HOOKS	In the second slot from the bottom

Affix assembled full windshield side guide [P3] to windshield [P1]. Make sure to align side guides mounting holes with windshield slotted holes.

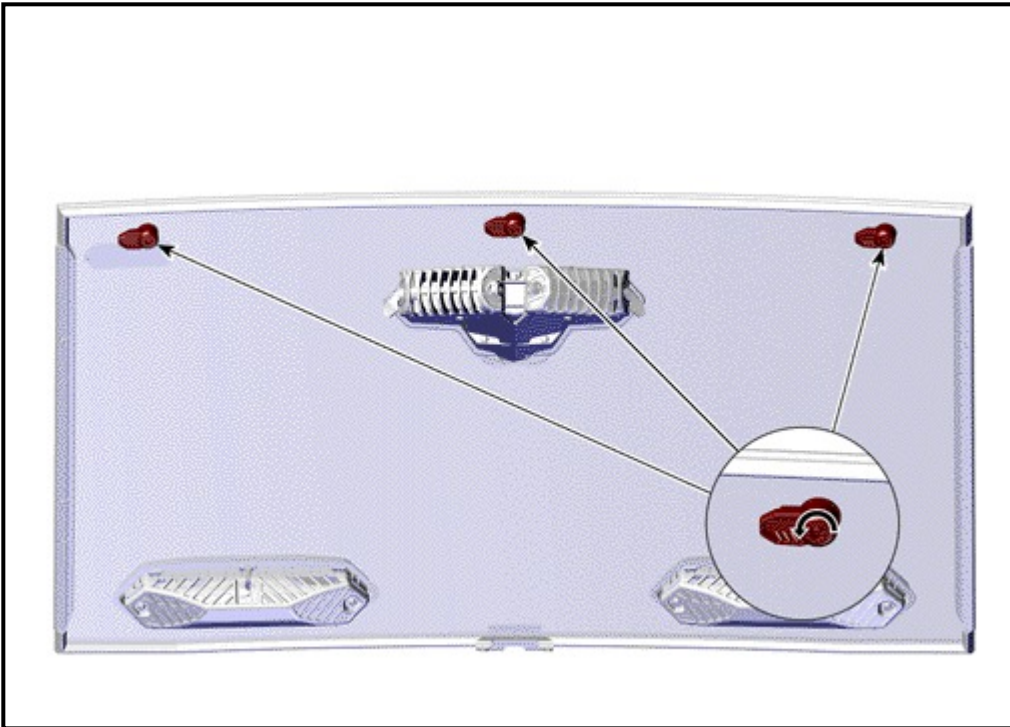


Screw M4 self tapping screws [P7] to hold [P3] in place. Hand tighten screws but allow side guide to move.

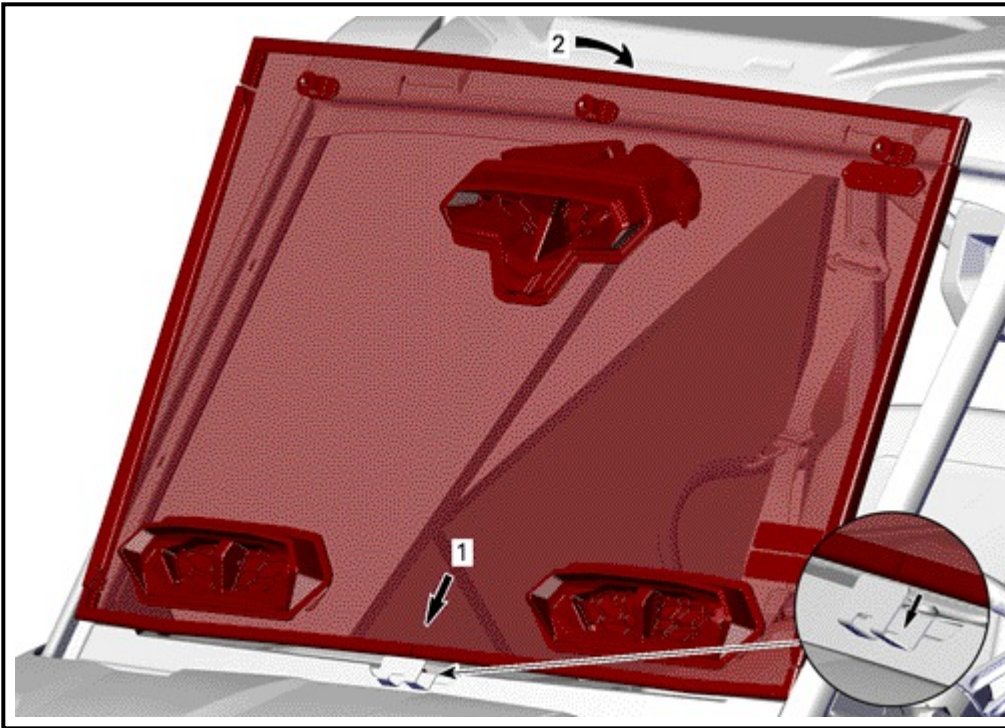


## Full Windshield Installation

Rotate full windshield latch kits [P2] 90 degrees to allow installation of the windshield.



Slide assembled windshield [P1] in lower support [P5] and pivot in position.

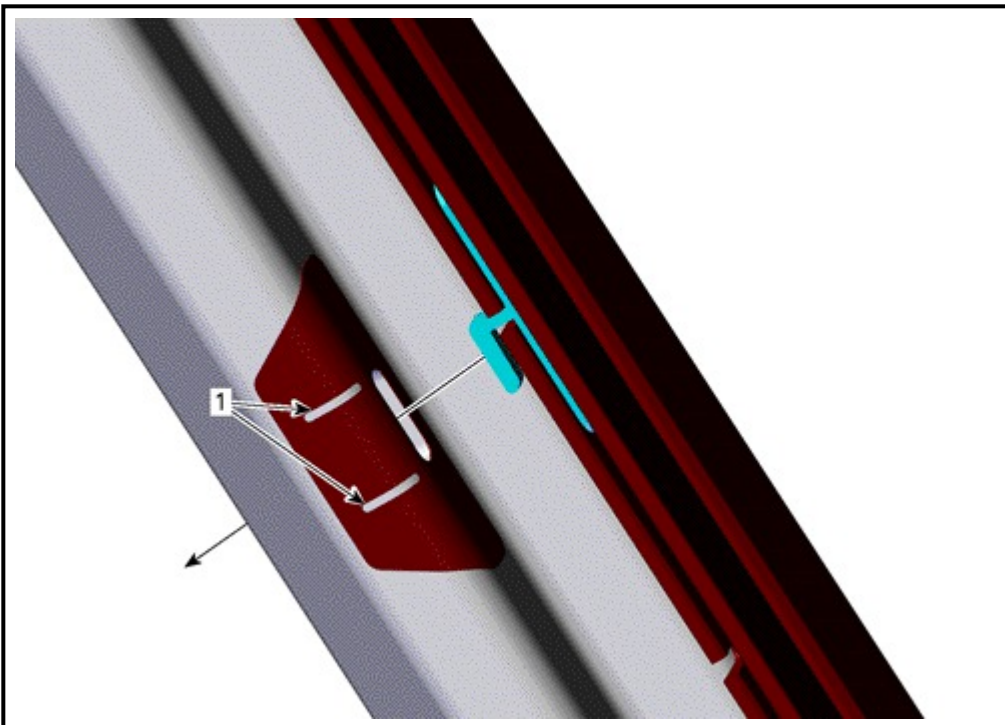


1. Slide in lower support
2. Pivot in position

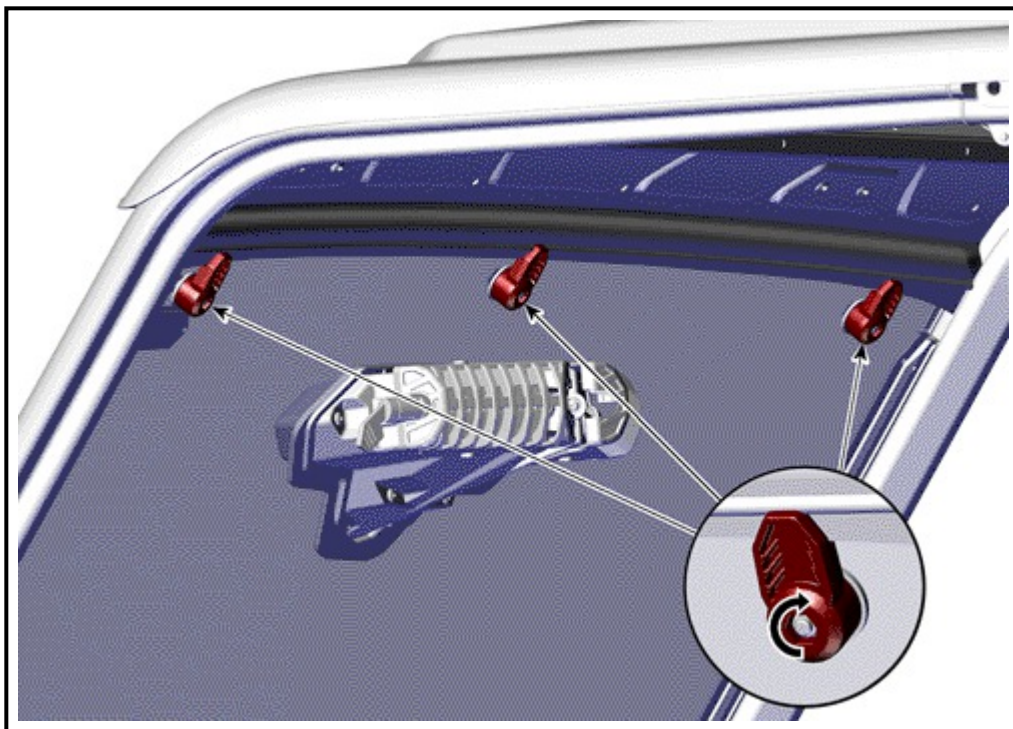
Align hooks between marks on the locator decals.

**NOTE:** When the bottom of windshield aligns with the top of support, hooks are practically aligned.

**NOTE:** Windshield not shown for clarity.



1. Marks



Hand tighten side guide screws.

**⚠ WARNING**

Make sure windshield is properly secured before driving the vehicle.

## CLEANING

Rinse with lukewarm water; wash gently with mild soap or detergent and lukewarm water, using a soft cloth or sponge. Do not scrub or use brushes or squeegees.

Rinse again. Dry with soft cloth or moist cellulose sponge to prevent water spotting.

To remove wet paint, glazing compound or grease, rub lightly with a good grade of VM & P naphtha or isopropyl alcohol, then wash and rinse. Do not use gasoline.

**NOTICE** Abusive cleaning procedures by hand washing or automated washing equipment will eventually result in visual hazing, loss of light transmission and coating delamination.

Compatible cleaning agents:

- Aqueous Solution of Soaps and Detergents
- Fantastik
- Joy
- Neleco-Placer
- Hexcel, F.O. 554
- Windex
- Formula 4091
- Lysol
- Pine-Sol
- Mr.Clean
- Top Job



# FILTER MAINTENANCE

**NOTE:** Make sure filters are clean before each ride.

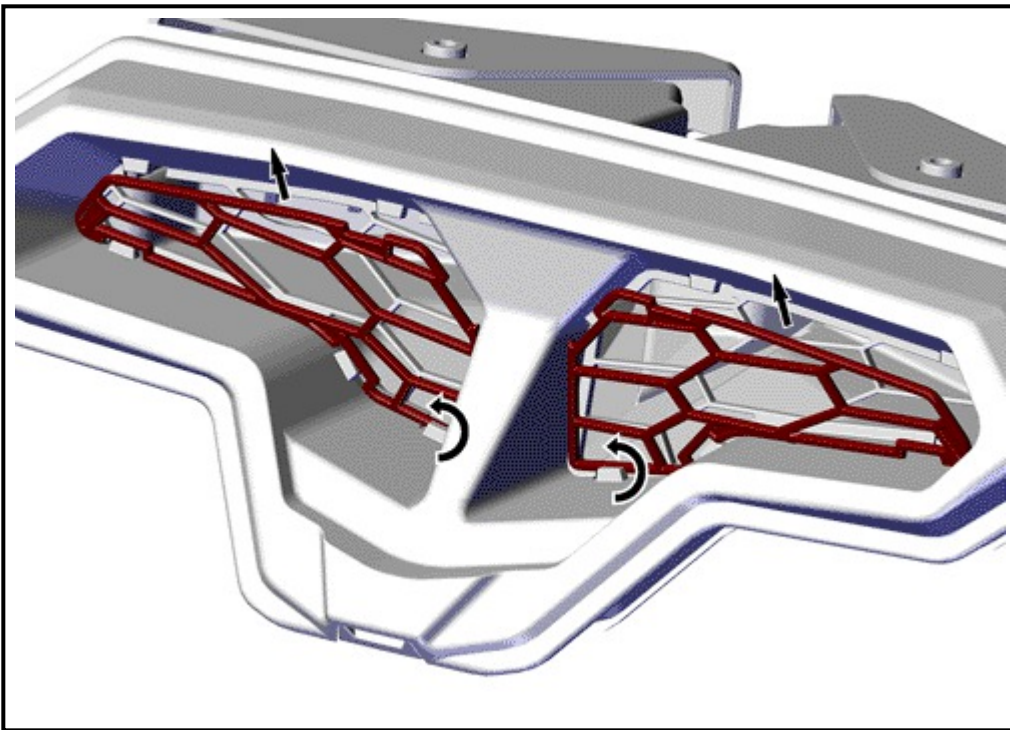
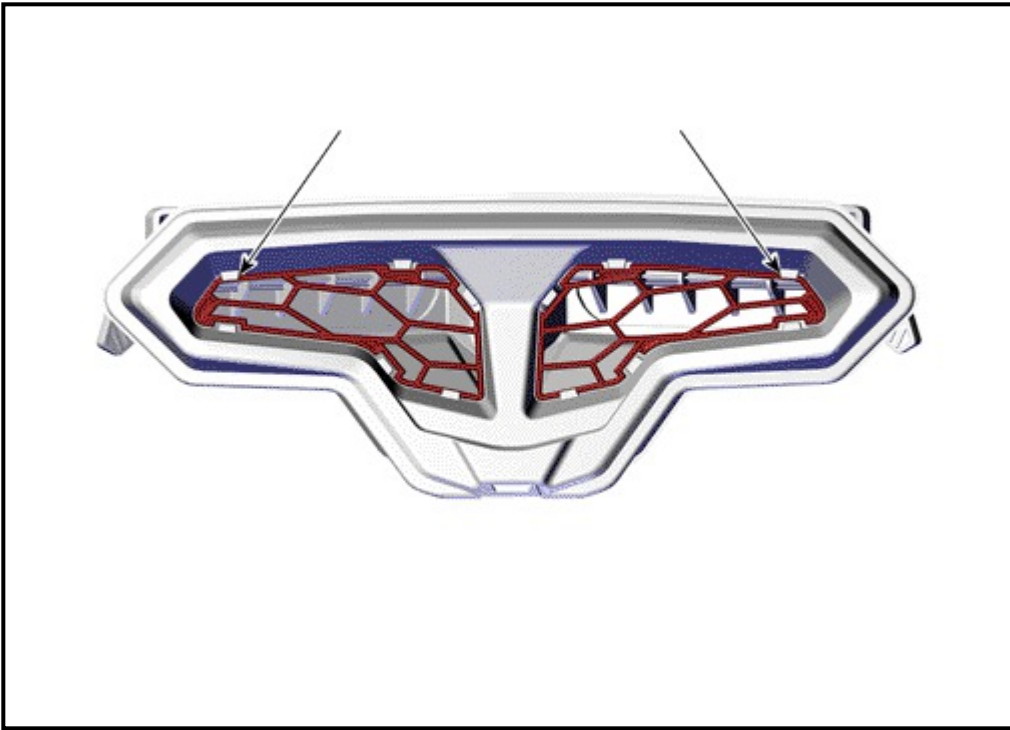


**NOTE:** Windshield not shown for clarity. Maintenance can be done while windshield is attached to the vehicle.

**NOTE:** Filter mesh requires caution while removing and installing as it is fragile.

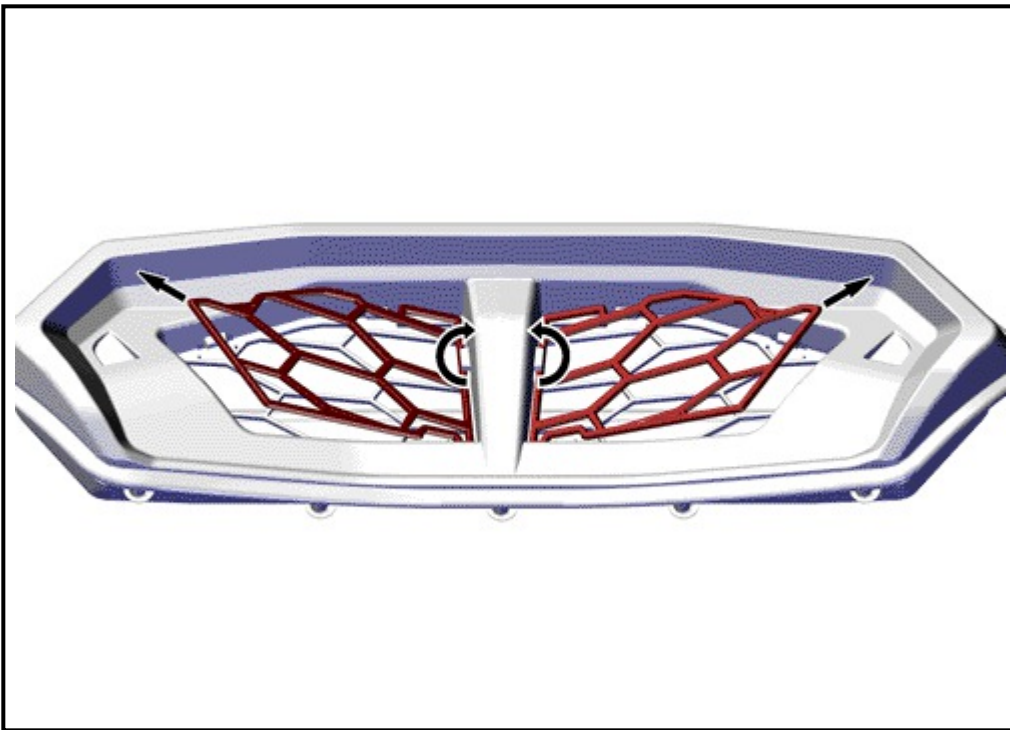
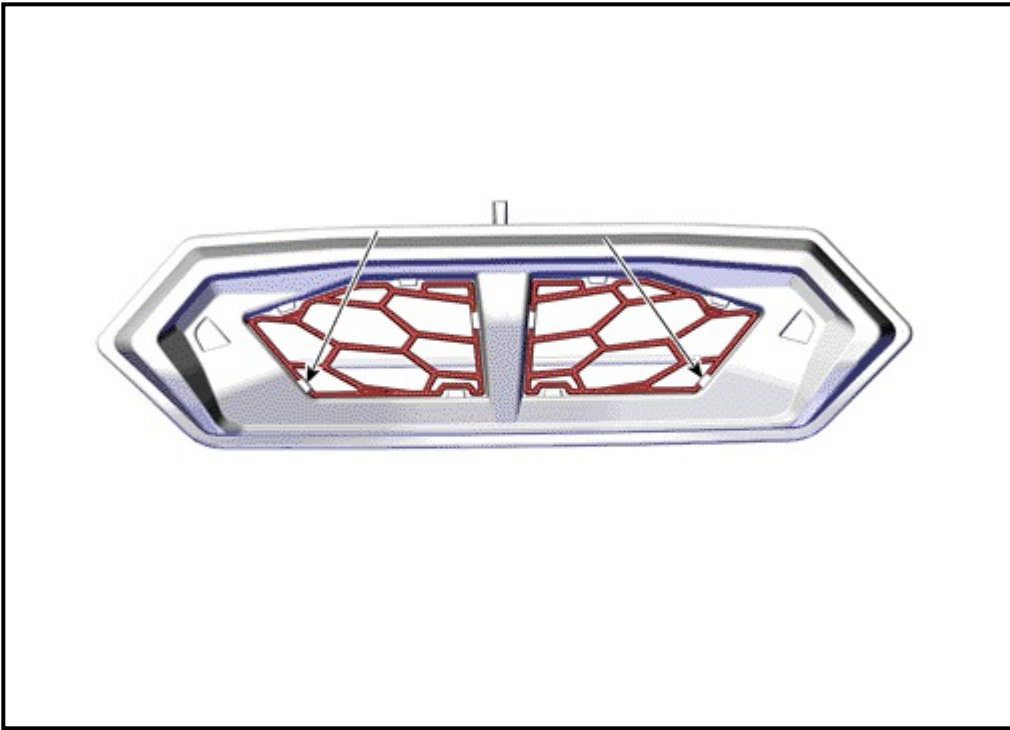
To remove the filter, pry indicated corner with a flat tool, pivot mesh and remove from vent. Repeat for the other vents.

***Upper Vent [P13]***



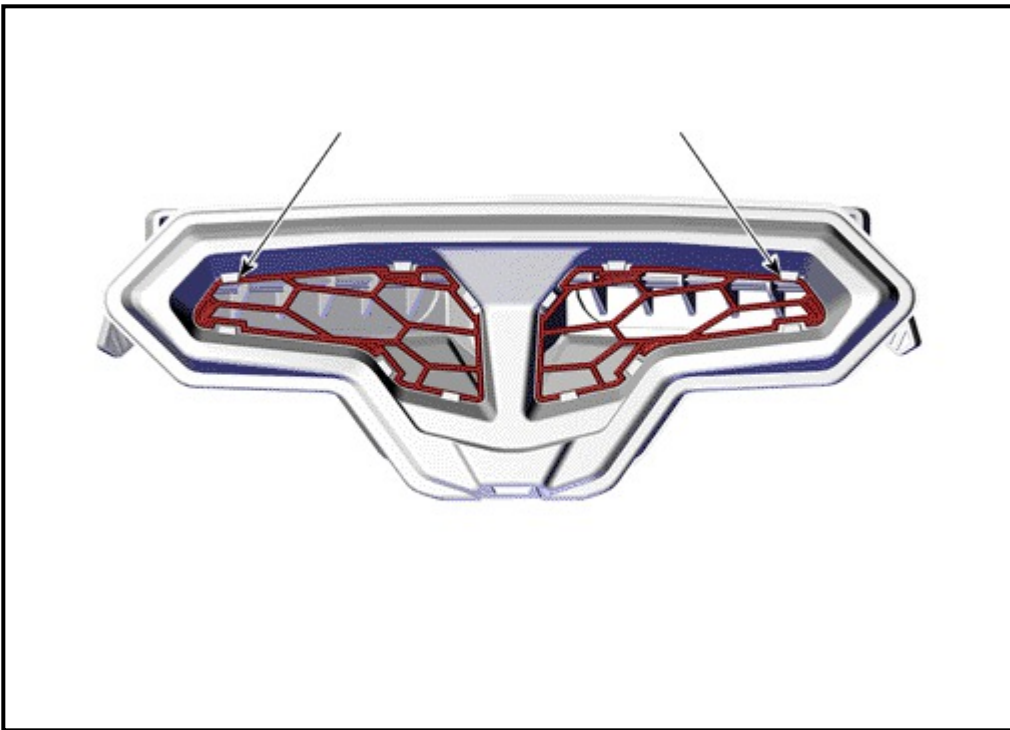
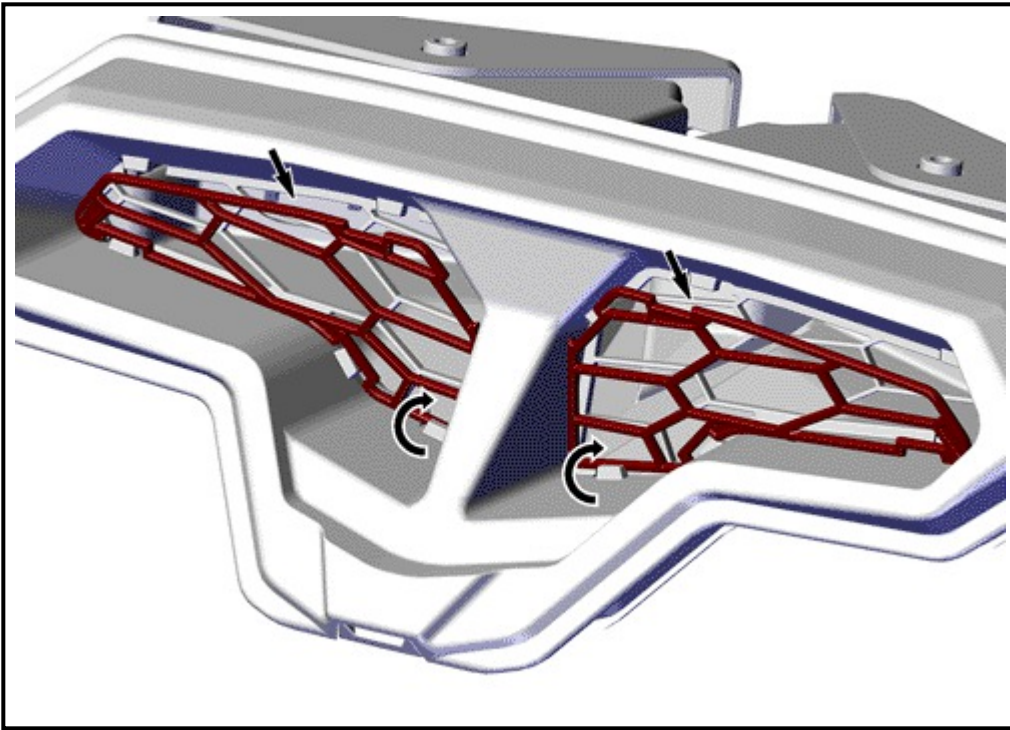
**Lower Vent [P12]**



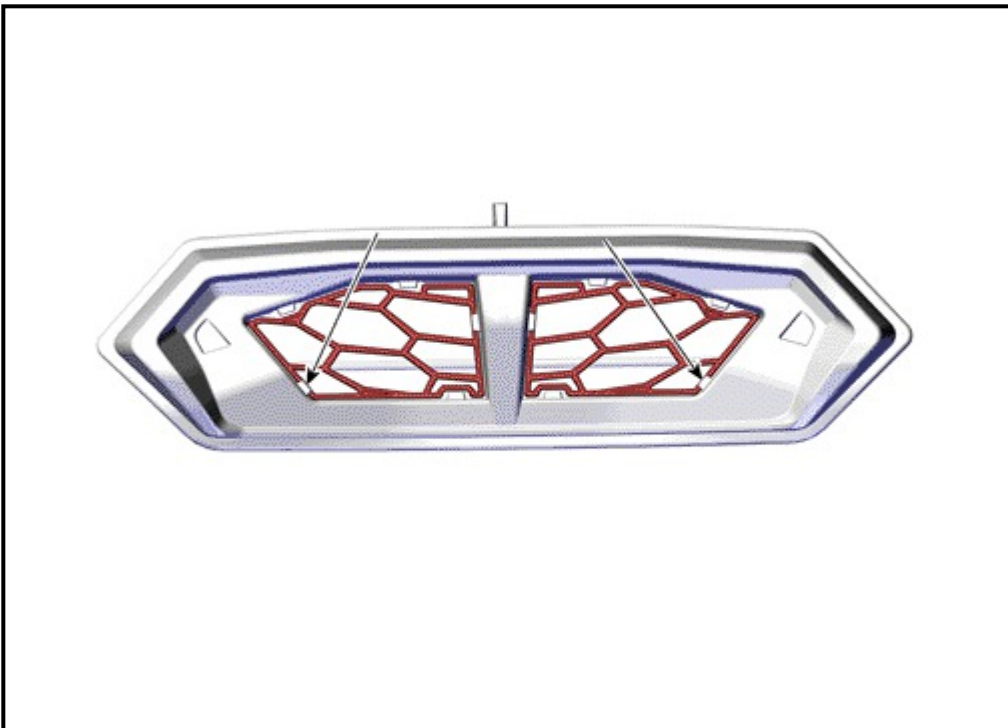
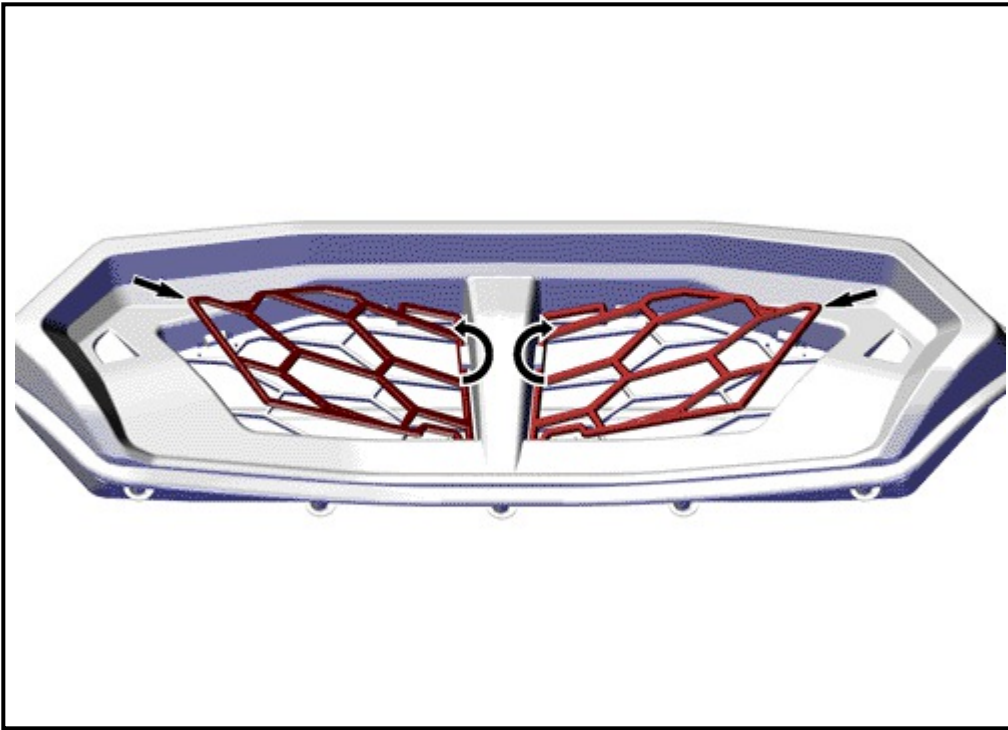


To reinstall the mesh, reinsert mesh in vent according to the image, pivot and pry indicated section with a flat tool to snap back into place.

***Upper Vent [P13]***



**Lower Vent [P12]**



## SAFETY LABEL

This product comes with the following label containing important safety information.

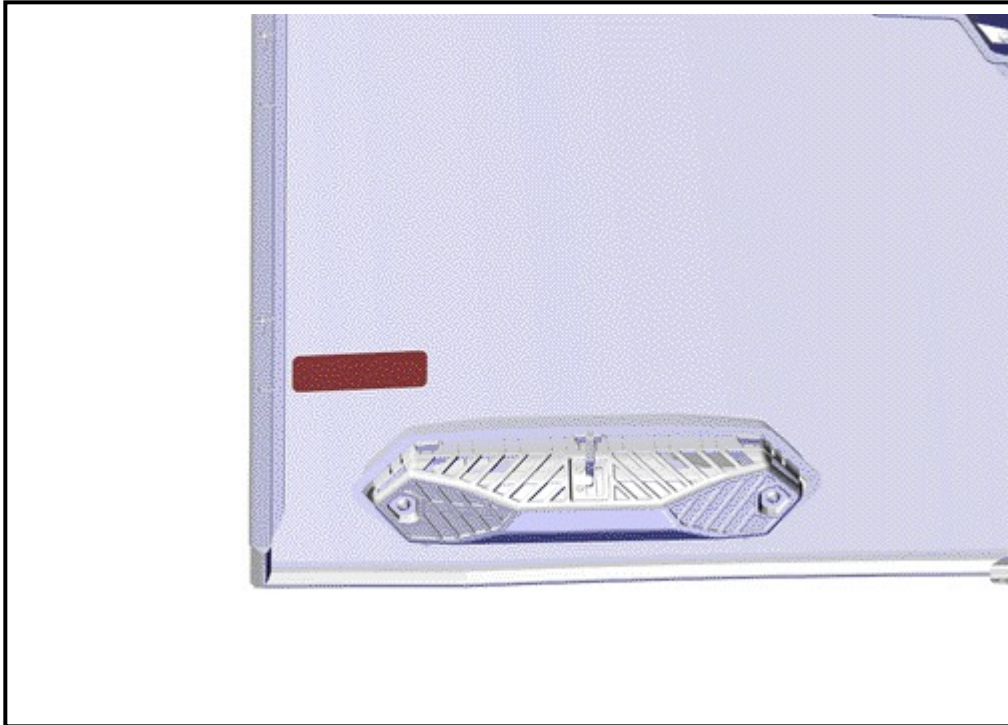
The label should be considered a permanent part of this product. If the label come off or become hard to read, please contact an authorized dealer for FREE OF CHARGE replacement.

Any person who intend to use this product should read and understand the information contained on the label before doing so.

Clean surface using isopropyl alcohol and dry thoroughly before installing the label.



NEVER trailer this vehicle oriented backwards with a windshield in place. Windshield could break away.  
ALWAYS trailer this vehicle facing forward.



WARNING LABEL LOCATION