

SSV KIT - Overhead complete audio system

%2F Overhead front audio system

Part number (SKU) : 715002019,715003095

Product:	Side-by-side
Project no:	487801614_rev1
Instruction Sheet P/N:	487801614
Revision no:	1
Revision date:	March 2016
Item covered:	Overhead complete audio system, Overhead front audio system

PRIOR TO INSTALLATION, GO ON THE KNOWLEDGE CENTER AND ENSURE THAT YOU HAVE THE LATEST VERSION OF THIS INSTRUCTION SHEET.

The following symbols may be used in this document:

WARNING

Indicates a hazardous situation which, if not avoided, could result in death or serious injury.

⚠ CAUTION: Indicates a hazard situation which, if not avoided, could result in minor or moderate injury.

NOTICE Indicates an instruction which, if not followed, could severely damage vehicle components or other property.

WARNING

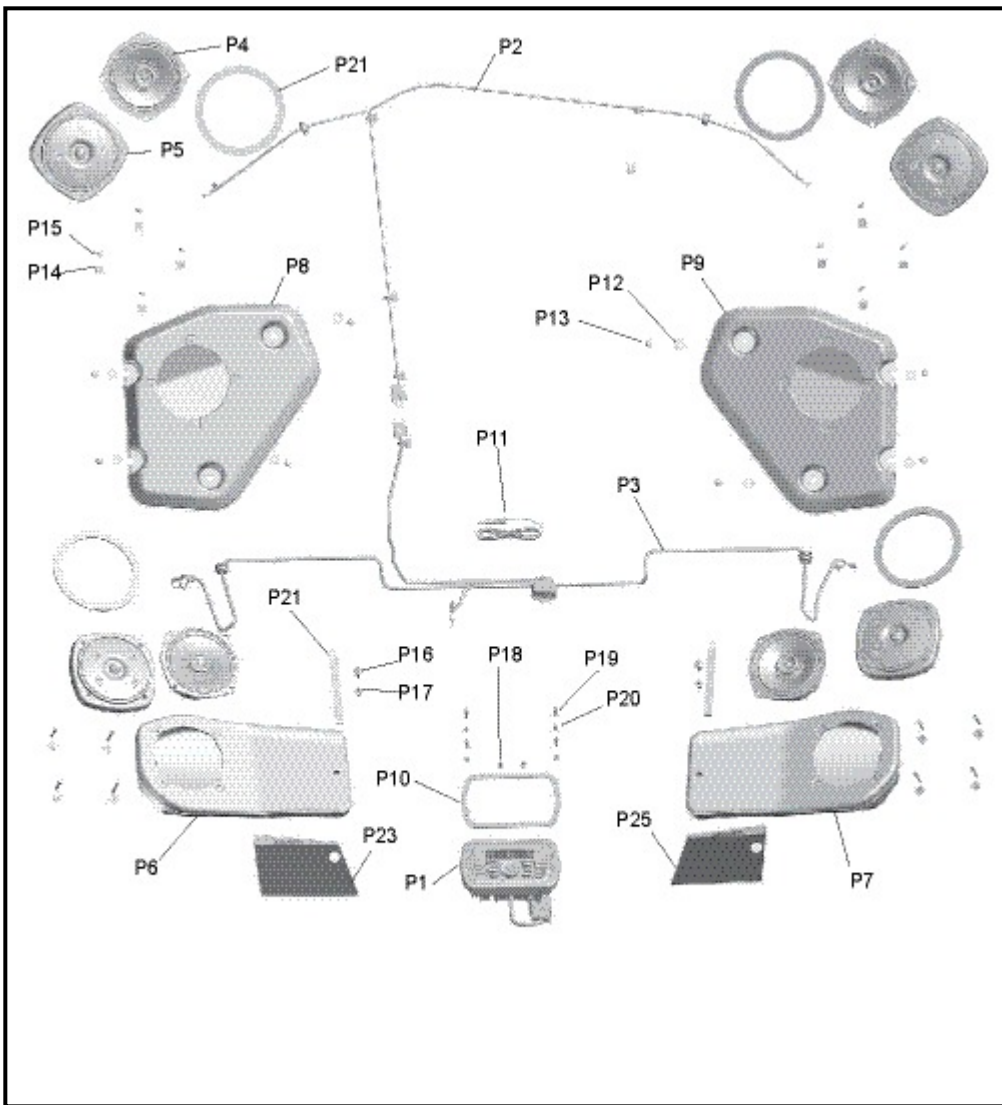
- For safety reasons, this kit must be installed by an authorized BRP dealer.
- This kit is designed for specific applicable models only (authorized BRP dealers will confirm model(s)). It is not recommended for units other than the one (those) for which it was sold.
- This instruction sheet **MUST** be given to the purchaser.
- Should removal of a locking device (e.g. lock tabs, self-locking fasteners, etc.) be required when undergoing disassembly/assembly, always replace with a new one.
- Torque wrench tightening specifications must strictly be adhered to.

NOTE: The illustrations in this document show typical construction of the different assemblies and may not reproduce the full detail or exact shape of the parts; however, they represent parts that have the same or similar function.

Installation time is approximately 0.75 hour for front audio.

Installation time is approximately 1.25 hour for complete audio.

PARTS TO BE INSTALLED



ITEM	DESCRIPTION	part number	QTY (Complete audio)	QTY (Front audio)
P1	Radio remote	(not available separately)	1	1
P2	Rear speaker harness (optional)	(not available separately)	1	N/A
P3	Radio / front speaker harness	(not available separately)	1	1
P4	Speaker	710003233	4	2
P5	Speaker cover	710002790	4	2
P6	LH front enclosure	(not available separately)	1	1
P7	RH front enclosure	(not available separately)	1	1
P8	LH rear enclosure	(not available separately)	1	N/A

P9	RH rear enclosure	(not available separately)	1	N/A
P10	Radio bracket	(not available separately)	1	1
P11	Antenna	710002810	1	1
P12	M6 flat washer	234062670	8	N/A
P13	K50 X 20 truss Torx head screw	250000760	8	N/A
P14	M4 panel nut	250100149	16	8
P15	M4 X 25 socket head screw	205042560	16	8
P16	M6 X 20 Torx screw	250000722	2	2
P17	M6 hexagonal flange nut	233061414	2	2
P18	M4 X 8 Torx truss	250000741	2	2
P19	M4 X 16 socket head screw	205041660	4	4
P20	M4 elastic stop nut	232541414	4	4
P21	Neoprene seal	293250087	2.5	1.4
P22	Locking tie - 350 mm (not illustrated)	293750008	12	6
P23	Warning label - English	704906124	1	1
P24	Warning label - French	704906145	1	1
P25	Warning label - English	704906125	1	1
P26	Warning label - French	704906146	1	1

INSTRUCTIONS

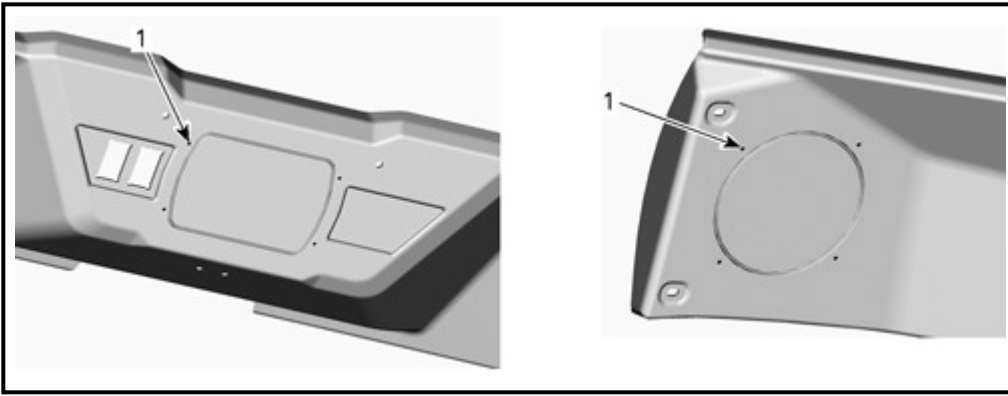
This kit requires the installation of:

- Rigid Roof (for complete audio only)
- Front Roof Liner (if equipped so)
- Roof Power Cable

Preparing the Front Roof Liner

Remove the front liner if installed.

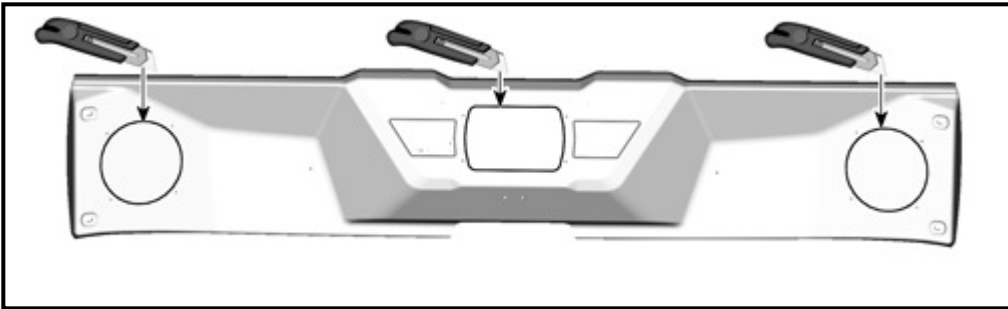
Drill front speakers and radio remote fasteners holes.



1. Pre-marked drill location

Drill size	
Drill size	5 mm (3/16 in)

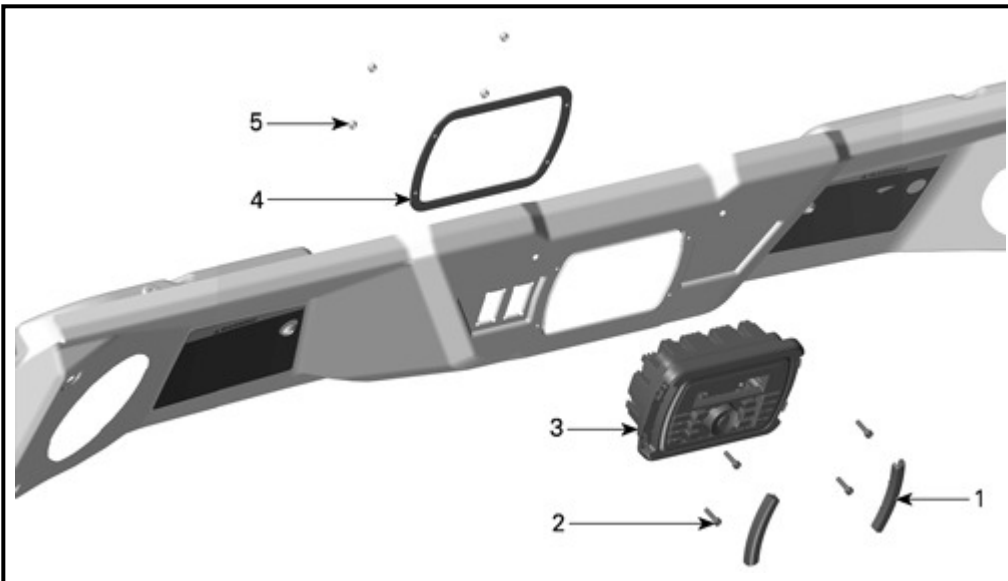
Cut speaker and radio module openings following the molded lines.



Installing the Radio Module

Remove lateral trims from radio remote [P1].

Install radio remote.



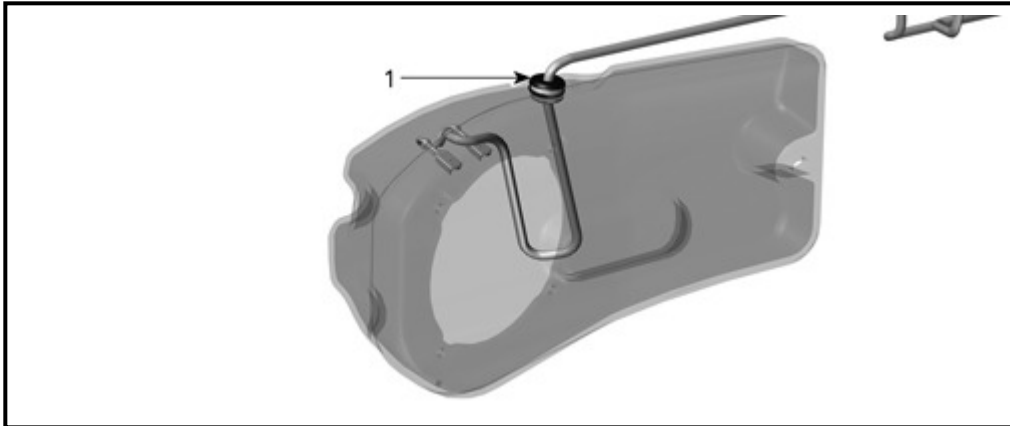
- 1. Lateral Trim
- 2. M4 X 16 socket head screw [P19]
- 3. Radio remote [P1]
- 4. Radio bracket [P10]
- 5. M4 elastic stop nut [P20]

Tightening torque	
M4 elastic stop nut [P20]	2.5 ± .5 N•m (22 ± 4 lbf•in)

Installing the Front Speakers

Insert the harness [P3] into the enclosures [P6] and [P7] and secure grommet to enclosures.

NOTE: Use WHITE & WHITE BLACK wires for the left speaker. Use GREY & GREY BLACK wires for the right speaker.

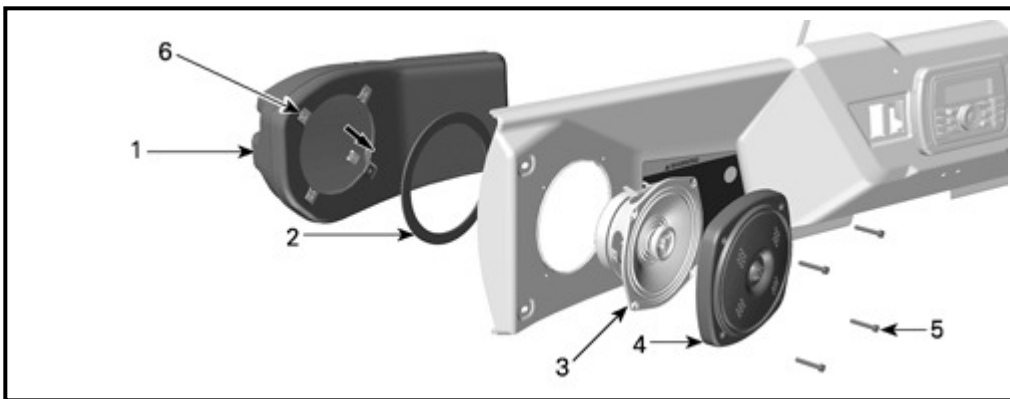


1. Grommet

NOTICE Loop to avoid possible water dripping along the wire into the terminals. The terminals should be oriented upwards.

Connect the speaker [P4] to front radio harness [P3].

Install the Speaker cover [P5], Speaker [P4], Front liner, Neoprene seal [P21] and LH front enclosure [P6] using M4 X 25 socket head screw [P15] and M4 panel nut [P14].



- 1. LH front enclosure [P6]
- 2. Neoprene seal [P21]
- 3. Speaker [P4]
- 4. Speaker cover [P5]
- 5. M4 X 25 socket head screw [P15]
- 6. M4 panel nut [P14]

Tightening torque	
M4 X 25 socket head screw [P19]	1.8 ± .2 N•m (16 ± 2 lbf•in)

Use the hole behind the enclosure as a template to drill the last hole.



Drill size

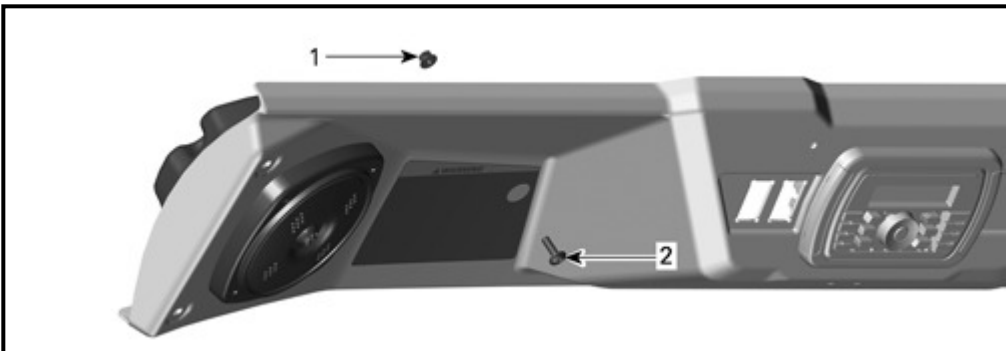
Drill size

6.5 mm (1/4 in)

NOTICE Before installing the screw, verify if label model comes aligned with the hole.

Install new label if required.

Secure using M6 X 20 Torx screw [P16] and M6 hexagonal flange nut [P17].



1. M6 hexagonal flange nut [P17]

2. M6 X 20 Torx screw [P16]

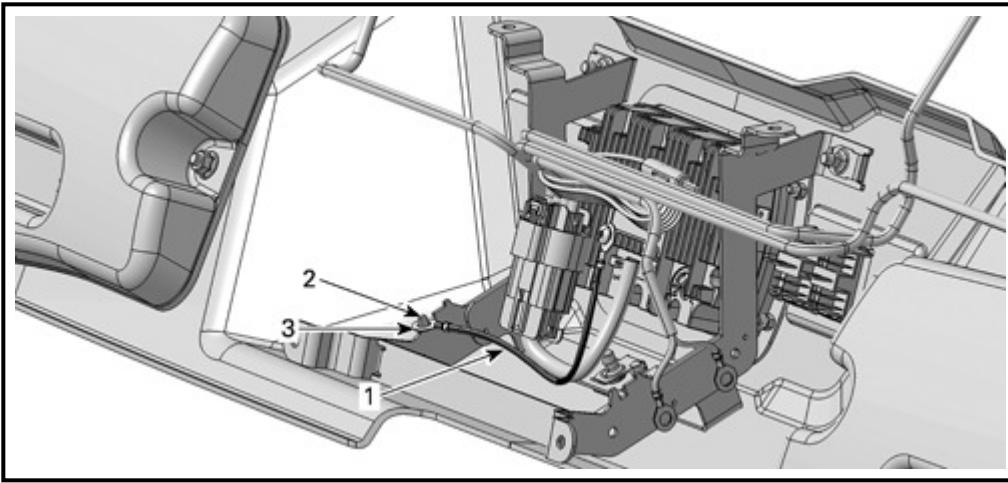
Tightening torque

M6 hexagonal flange nut [P17]

 $3 \pm .5 \text{ N}\cdot\text{m}$ ($27 \pm 4 \text{ lbf}\cdot\text{in}$)

Before reinstalling the liner

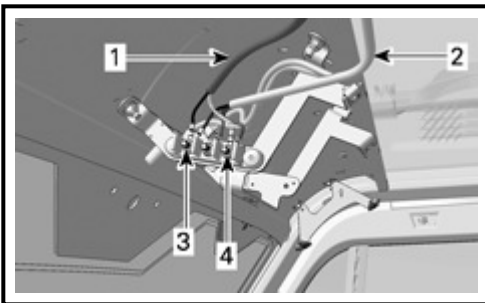
To ease installation and avoid pulling on harness, maintain the front liner assembly close to its installation location using the small steel cable ring terminal attached to the front liner bracket hook. Refer to image below.



1. Cable
2. Eyelet
3. Bracket hook

Connect the radio harness [P3] to the radio remote [P1].

Connect radio harness [P3] to the junction block.



TYPICAL

1. Roof power cable
2. Radio harness
3. Connect BLACK wire
4. Connect WHITE / RED wire

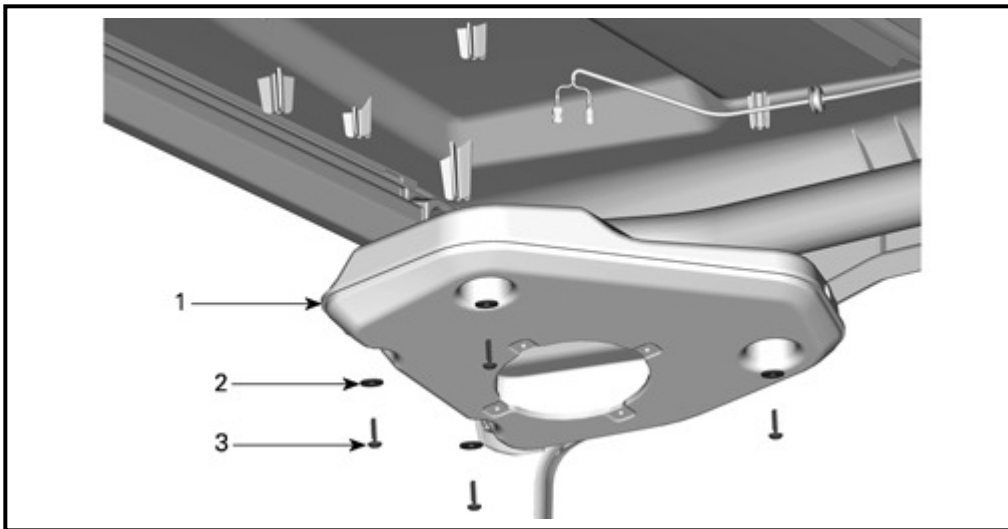
Connect the antenna [P11] and secure it to the liner's bracket using locking tie [P22].

Reinstall the front liner.

Installing the Rear Speakers (Optional)

Remove rear liner if equipped so.

Install rear speaker enclosures [P8] and [P9].



1. RH rear enclosure [P9]
2. M6 flat washer [P12]
3. K50 X 20 truss Torx head screw [P13]

Tightening torque

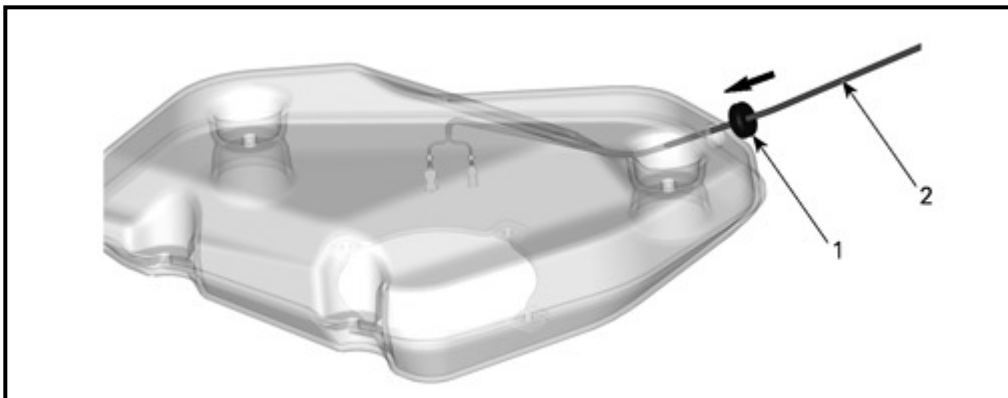
K50 X 20 truss Torx head screw [P13]	2.5 ± .5 N•m (22 ± 4 lbf•in)
--------------------------------------	------------------------------

Install the grommet from the harness [P2] onto the rear speaker enclosures [P8] and [P9].

NOTE: Use GREEN & GREEN BLACK wires for the left speaker. Use VIOLET & VIOLET BLACK wires for the right speaker.

Connect Rear speaker harness [P2] to Radio / front speaker harness [P3].

Secure the harness along the way using locking tie clips from the harness onto the roof rib stiffeners.



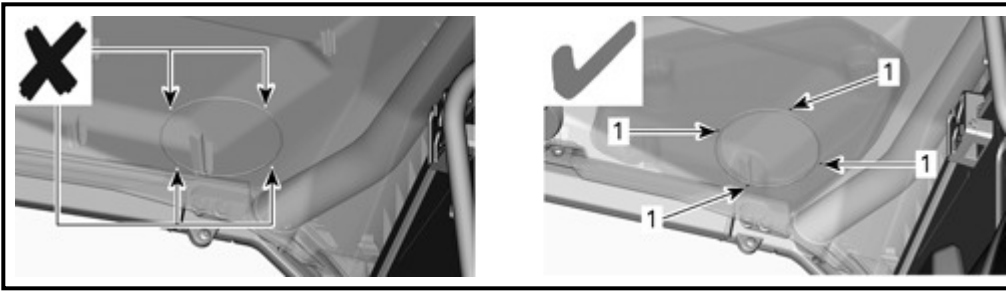
1. Grommet
2. Rear speaker harness [P2]

Models equipped with rear liner

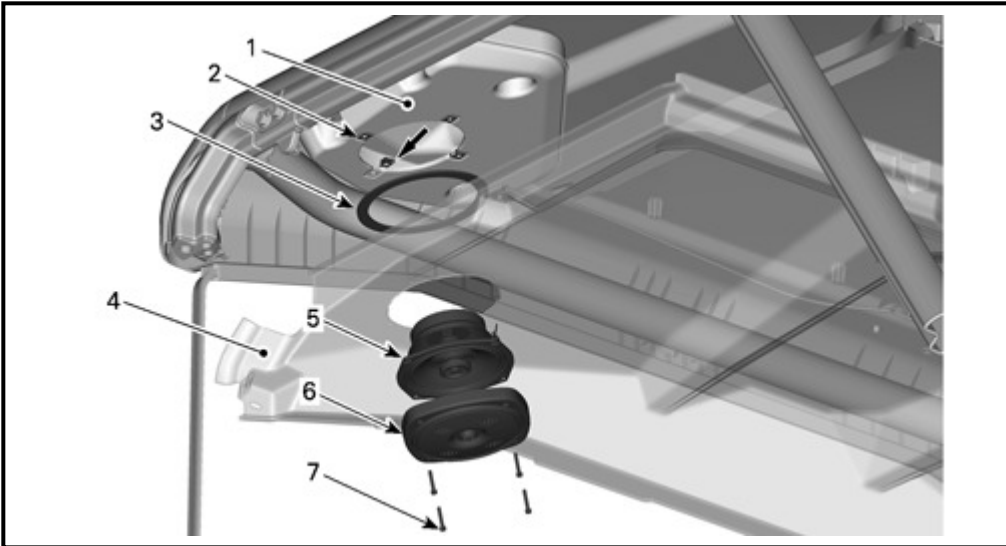
NOTICE Do not follow the molded circle pattern to cut the openings in the rear liner.

Start with cutting 4 mm (5/32 in) inside the molded circle pattern using the provided template.

Install rear liner and use the LH and RH rear enclosures [P8] and [P9] to pierce the holes with a sharp center punch.



1. Proper drill location



- 1. RH rear enclosure [P9]
- 2. M4 panel nut [P14]
- 3. Neoprene seal [P21]
- 4. Roof rear liner (Optional)
- 5. Speaker [P4]
- 6. Speaker cover [P5]
- 7. M4 X 25 socket head screw [P19]

Tightening torque	
M4 X 25 socket head screw [P19]	1.8 ± .2 N•m (16 ± 2 lbf•in)

Safety Labels

This product comes with the following labels containing important safety information.

The labels should be considered a permanent part of this product. If the labels come off or become hard to read, please contact an authorized dealer for FREE OF CHARGE replacement.

Any person who intend to use this product should read and understand the information contained on the labels before doing so.

Remove the front roof liner LH and RH safety decals and replace them by the following.

Clean surface using isopropyl alcohol and dry thoroughly before installing the labels.



[Template.pdf](#)